

The USB sound card I us can be obtained from

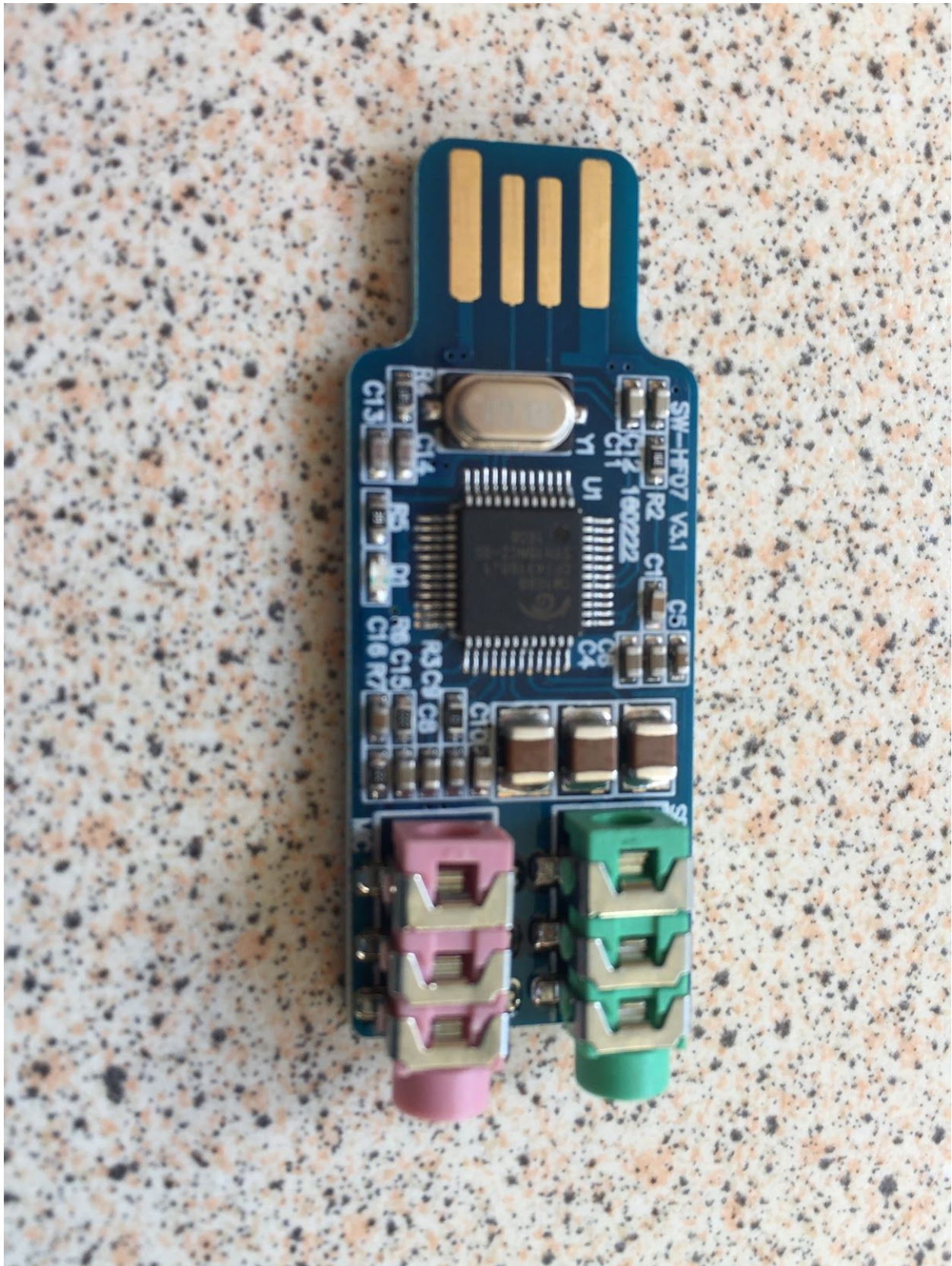
[http://www.ebay.co.uk/itm/CM108-USB-Drive-Free-Sound-Card-Laptop-Computer-External-Sound-Card-Module/282178964807?ssPageName=STRK%3AMEBIDX%3AIT&\\_trksid=p2060353.m2749.l2649](http://www.ebay.co.uk/itm/CM108-USB-Drive-Free-Sound-Card-Laptop-Computer-External-Sound-Card-Module/282178964807?ssPageName=STRK%3AMEBIDX%3AIT&_trksid=p2060353.m2749.l2649)

P.S

Forgot I also remove R6 and R7 there are used for Mic bias not need.

73

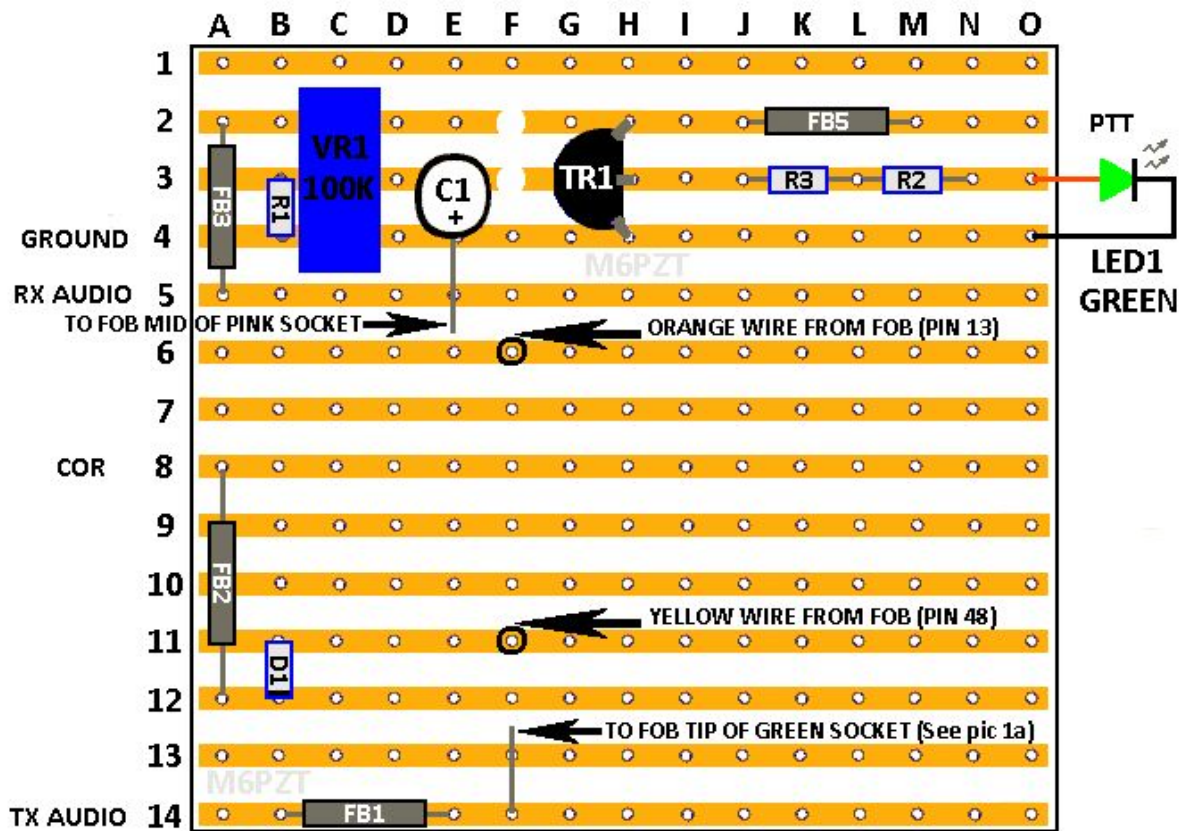
Rick M6PZT







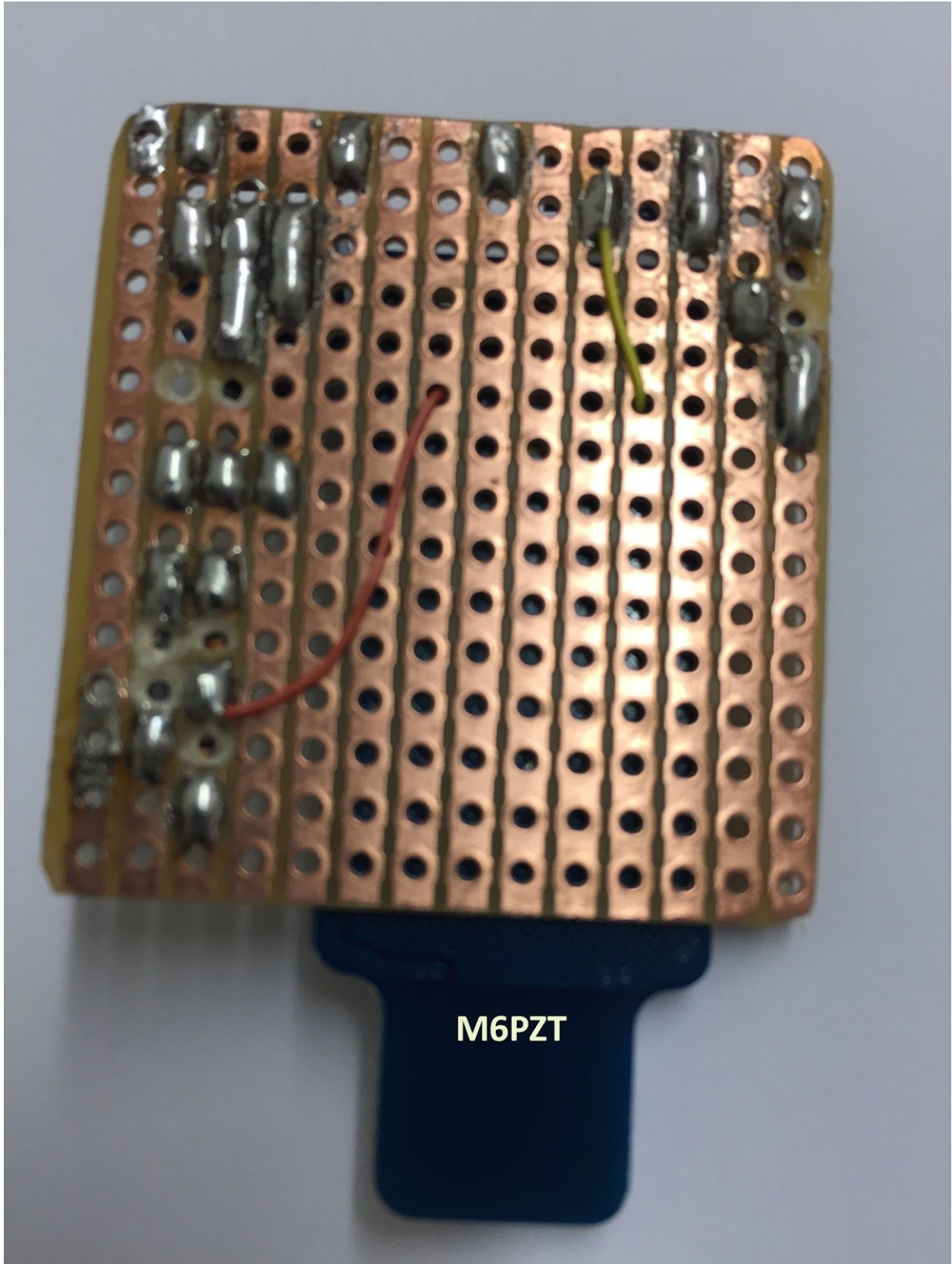
<b>USB FOB ADD ON BOARD</b> Track Layout
Date 24/10/2017 Part 1/2
By Rick M6PZT



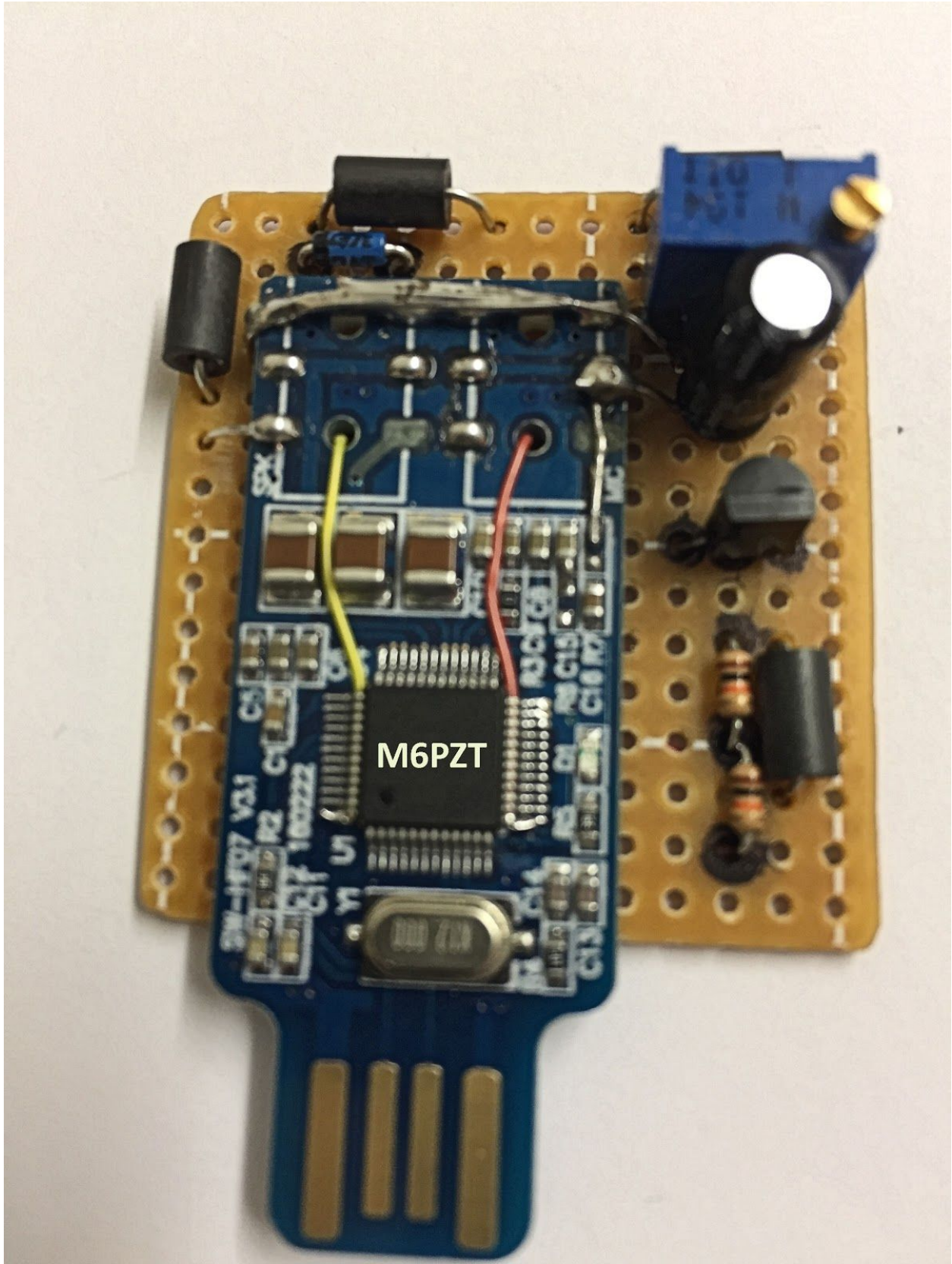
**NOTE:** Orange and Yellow wires are not soldered to the tracks just pass through the holes marked See pics 1a.png

Track 4 GROUND  
 Track 5 RX AUDIO  
 Track 8 COR  
 Track 14 TX AUDIO  
 Track 2 RIGHT SIDE PTT

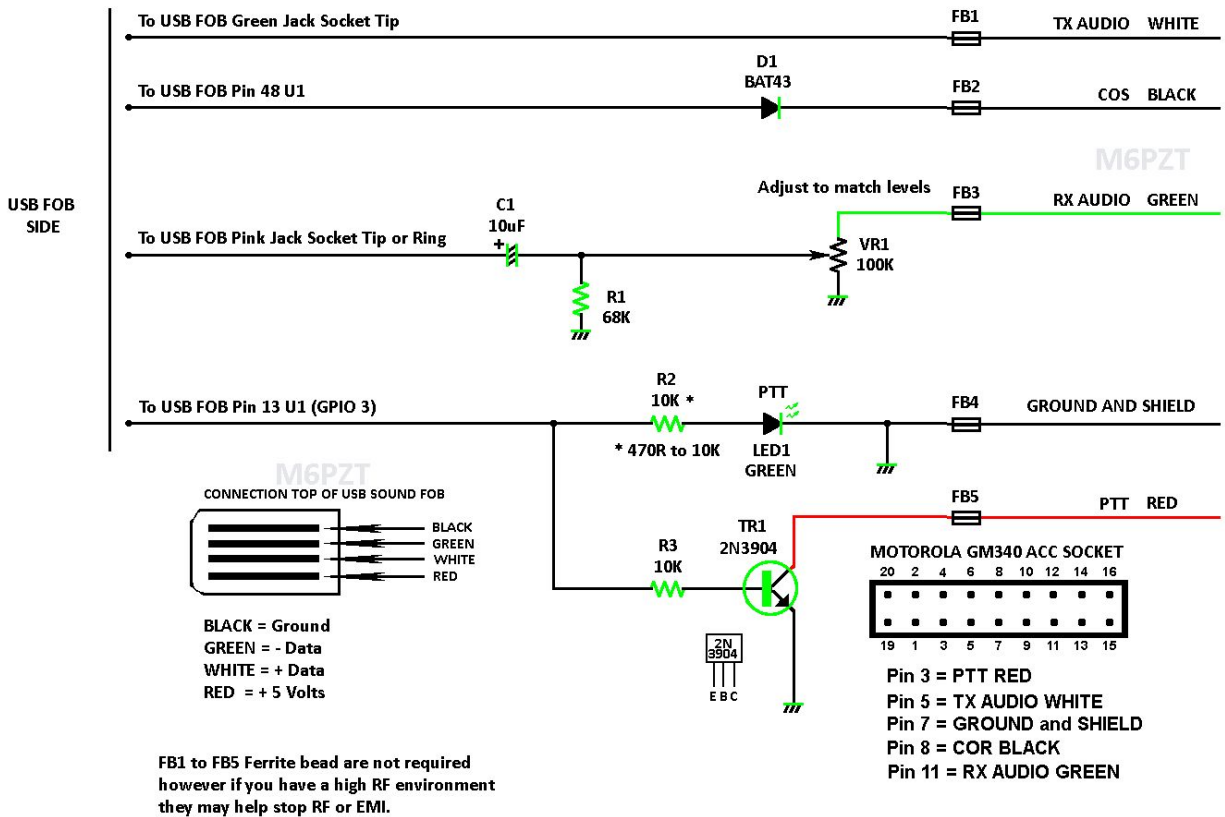
USB FOB ADD ON BOARD Component layout
Date 24/10/2017 Part 2/2
By Rick M6PZT



M6PZT



M6PZT



SWNWU USB SOUND CARD SW-HF07 V3.1
MOTOROLA GM340
By Rick Hankinson M6PZT