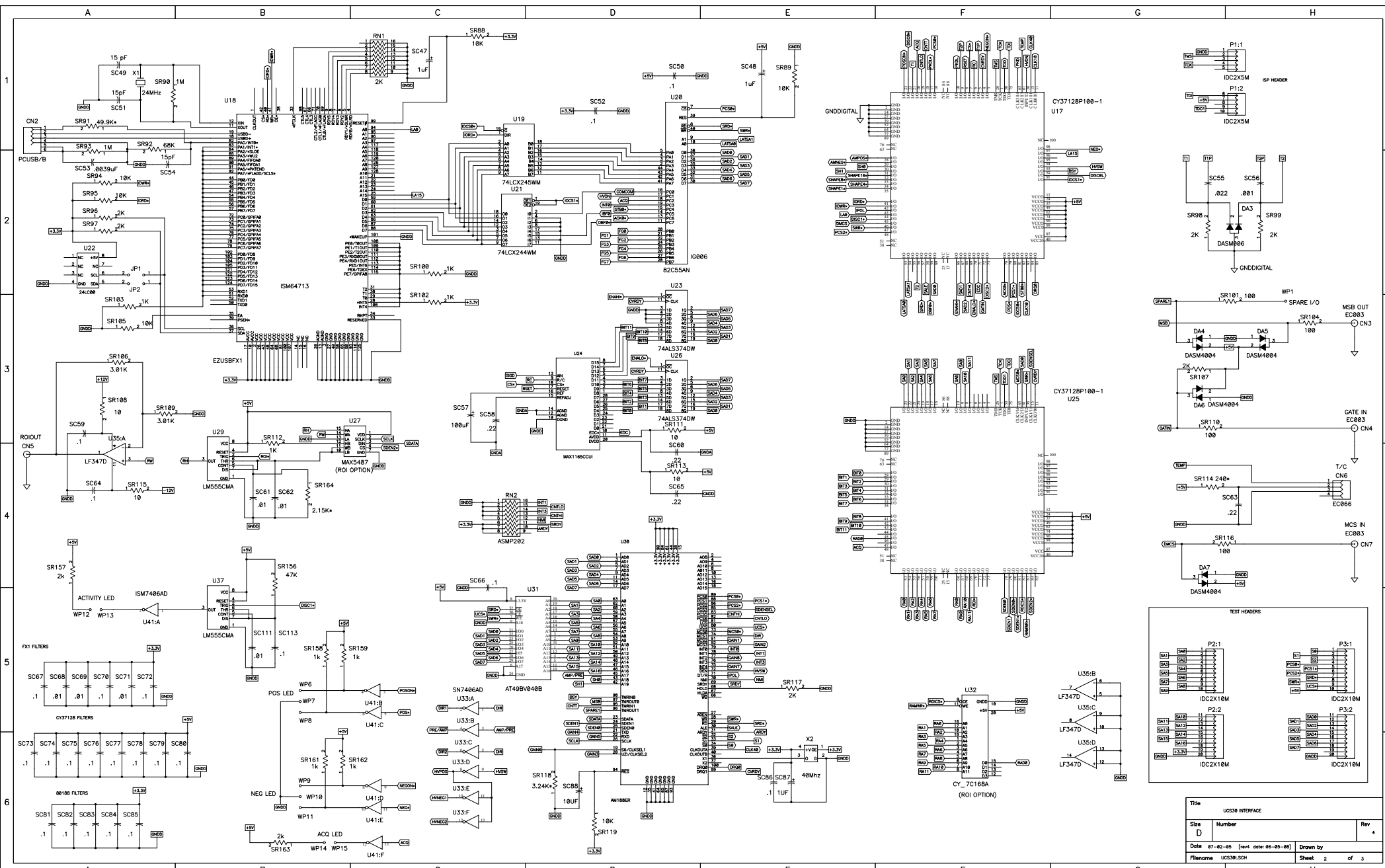
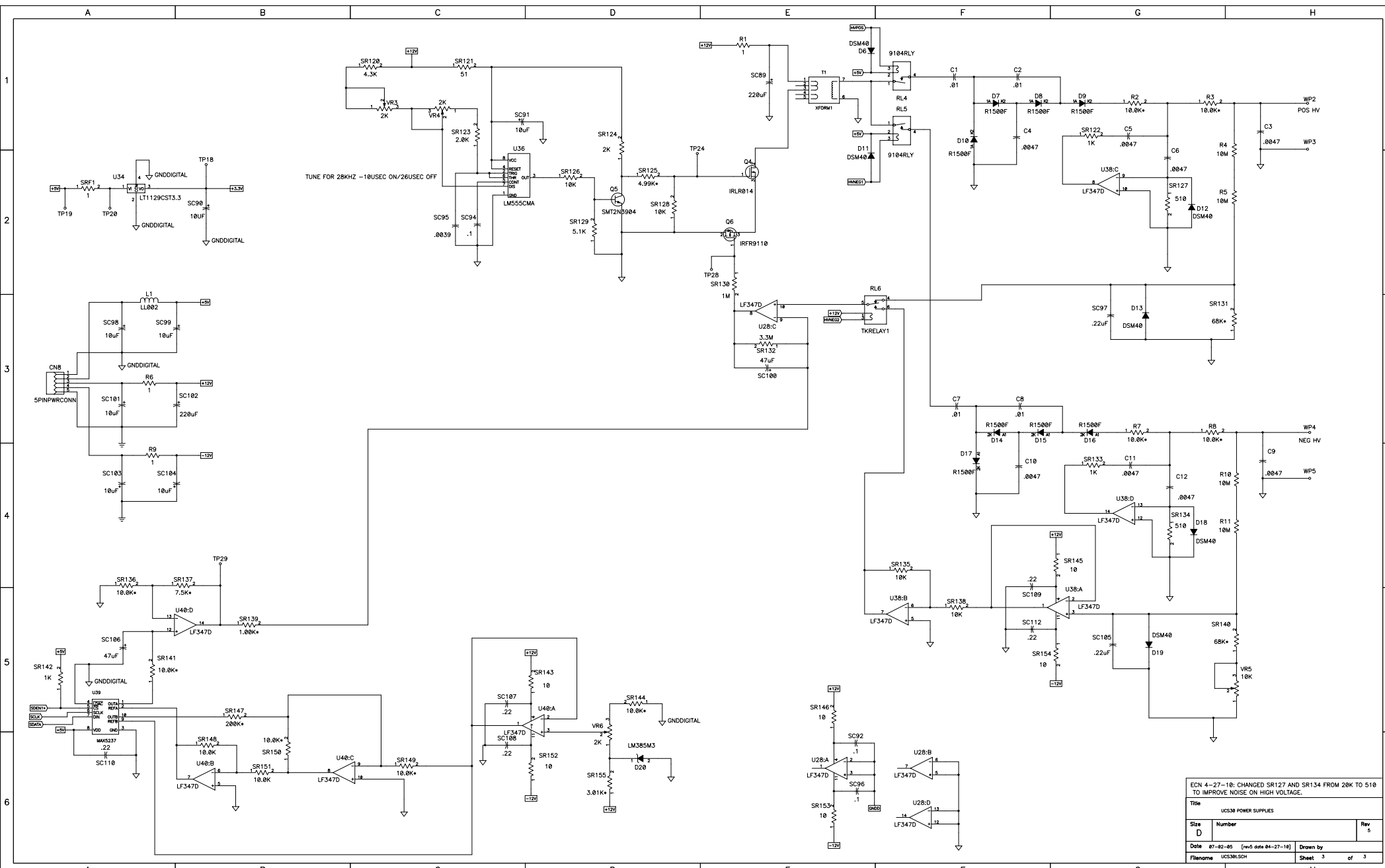


Title		UC538 ANALOG	
Size	D	Number	Rev 4
Date	07-02-05	(rev date: 06-05-06)	Drawn by
Filename	UC538.SCH	Sheet	1 of 3



Title	UCS38 INTERFACE		Rev	4
Size	D	Number		
Date	07-02-85 (rev 4 date 86-05-08)		Drawn by	
Filename	UCS38LSCH	Sheet	H	of 3



ECN 4-27-18: CHANGED SR127 AND SR134 FROM 28K TO 51K TO IMPROVE NOISE ON HIGH VOLTAGE.		
Title UC539 POWER SUPPLIES		
Size D	Number	Rev 5
Date 07-02-05	(rev 5 date 04-27-16)	Drawn by
Filename UC539SCH	Sheet 3	of 3