

Dxpedition II Model Antenna Switch with Dual 80/160 Pre-amp **For use with Transceivers without an RX input**

This device was designed with the “Low-Band” operator in mind. The purpose is to provide capability to use separate receive antennas with radios that **do not have a RX antenna input**. This device provides antenna switching to allow using separate transmit and receive antennas.

During Receive the Dxpedition II Model does:

Selection of up to 4 different receive only antennas
Select to receive on either Transmit Antenna or Receive only antennas by switching to either Xmit or Bev. Xmit position selects the transmit antenna for both receive and transmit. Bev position selects aux rec antennas.
Provides 20+ db adjustable gain on 80 and 160 meter band.

During Transmit the Dxped Model provides for:

Disconnecting of your Receive antenna and switches to the transmit antenna. A “Soft keying” circuit (3.5vdc @ 1.5ma) protects your transceivers fragile T/R relay while providing keying relay for your linear amplifier. This circuit works with either QSK or non-QSK type amplifiers. Semi-break-in is the preferred method of keying; however the changeover circuits are fast enough for full-break-in.

Gary Nichols, kd9sv
4121 Fahlsing road
Woodburn, IN. 46797

(260) 632-4642
kd9sv@comcast.net



Figure 1: Dxpediton II front panel.



Figure 2: Dxpediton II rear panel.

Figure 3: Dxpediton Model II connections for Transceivers without RX input for auxiliary antennas.

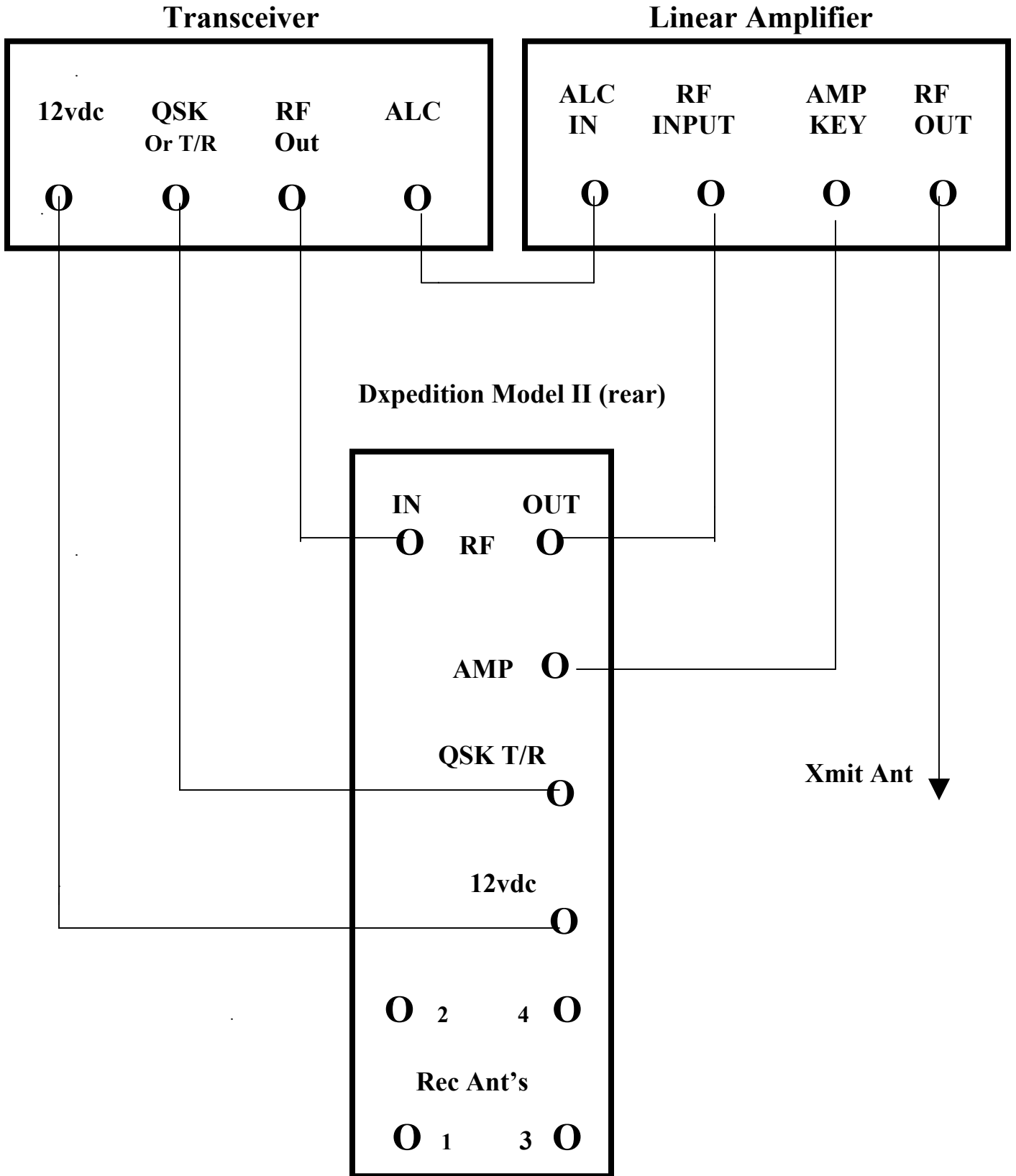
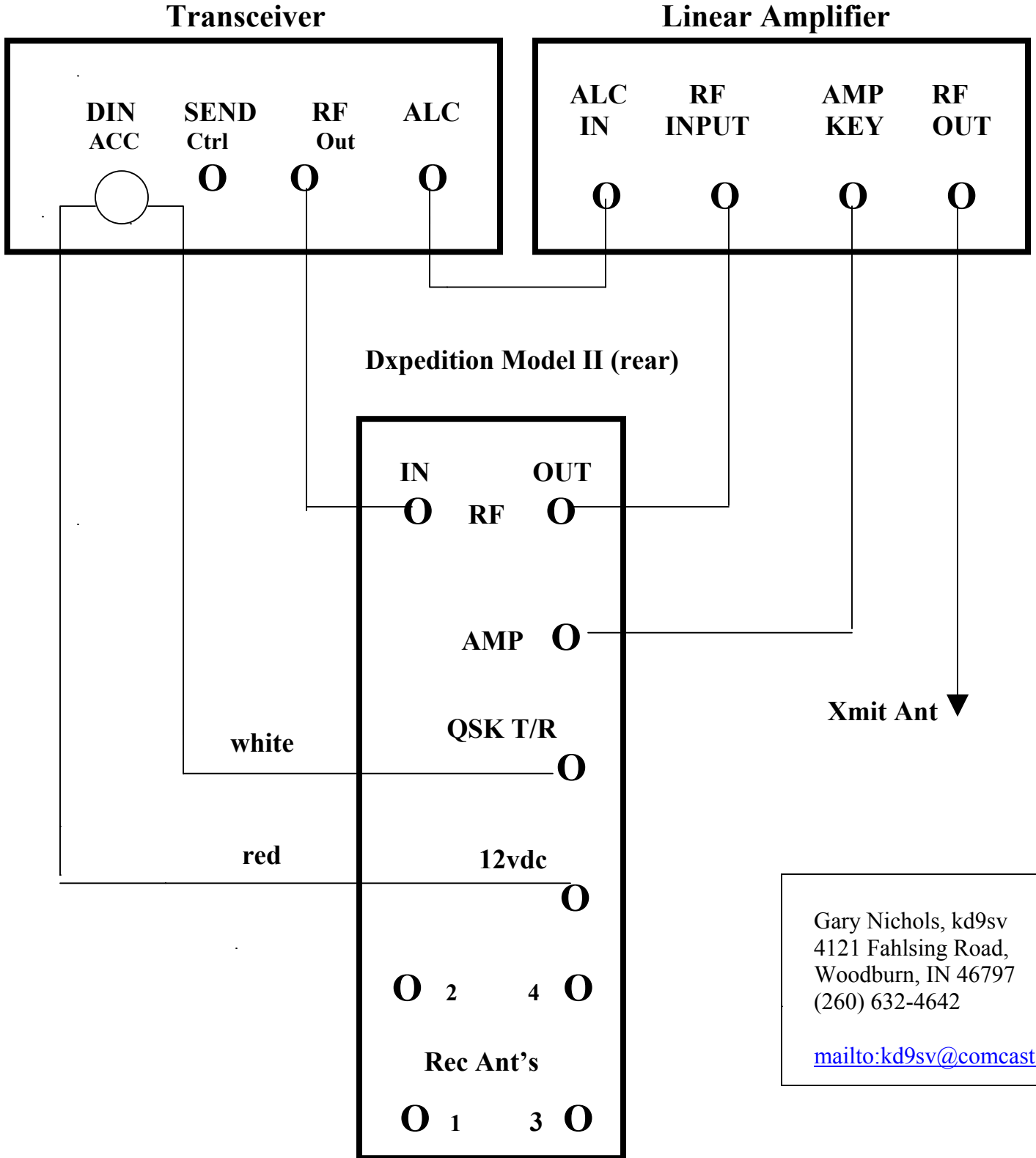


Figure 4: Dxpediton Model II connections for Transceivers with DIN ACC socket, and without RX input for auxiliary antennas.



Gary Nichols, kd9sv
 4121 Fahlsing Road,
 Woodburn, IN 46797
 (260) 632-4642
<mailto:kd9sv@comcast.net>