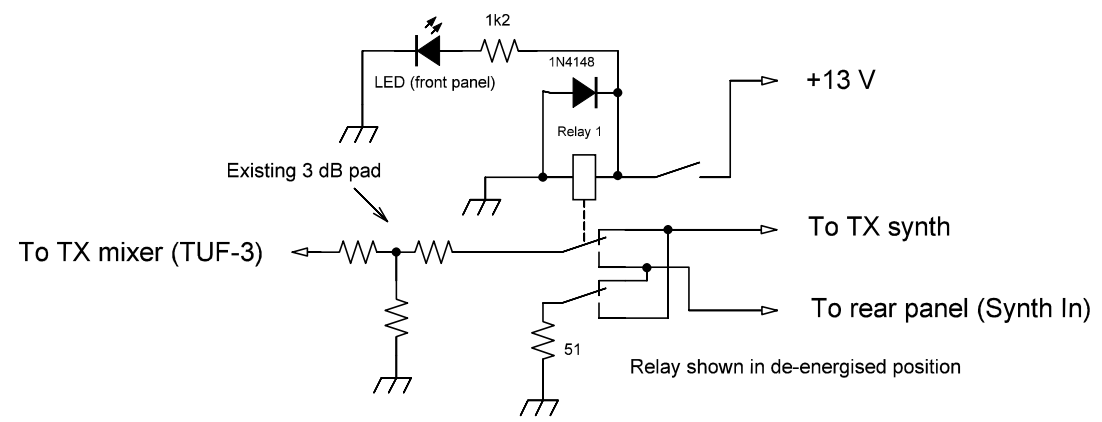


1

2



Notes

Relay is a small signal type with 12 Volt coil. It is mounted on the control board and secured with glue.

The switch can be marked "Transceive", RX synth, TX synth or similar.

The LED indicates external synth used.

4

Modifications		Date	Name	Description	Page no.
Date	Name				
				Schematic no.	Pages
			D Johnson G4AON	AONTX_Synth_v1	1
					18 Feb 15