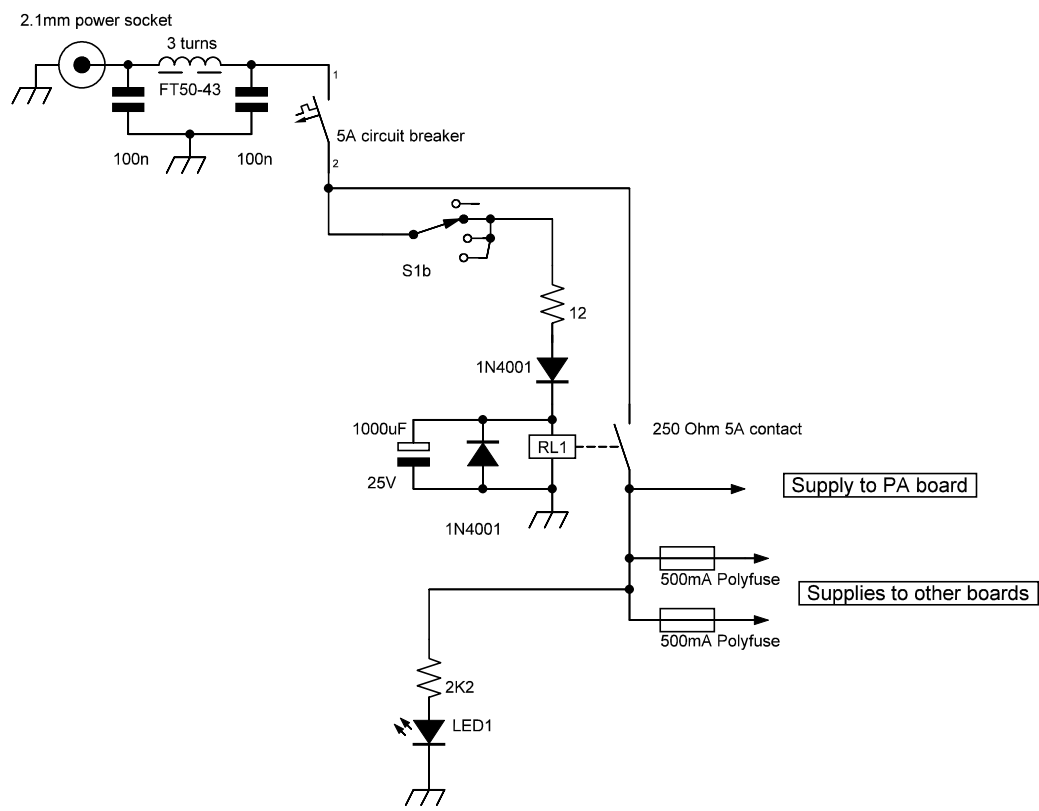


1



2

3

Notes

S1b is part of 4 pole, 3 way, break before make, "Off, Stby, Operate, Spot" switch

C2 delays relay RL1 dropping out while switching between "Stby, Operate and Spot".

Circuit breaker is manually reset type, mounted on rear panel.

LED1 is a white LED meter illumination

4

Modifications		Date	Name	Description	Page no.
Date	Name			G4AON Universal Transmitter Power distribution	1
					Pages
		D Johnson G4AON		Schematic no.	Date
				TX_PWR ver 1.1	04 Sep 13