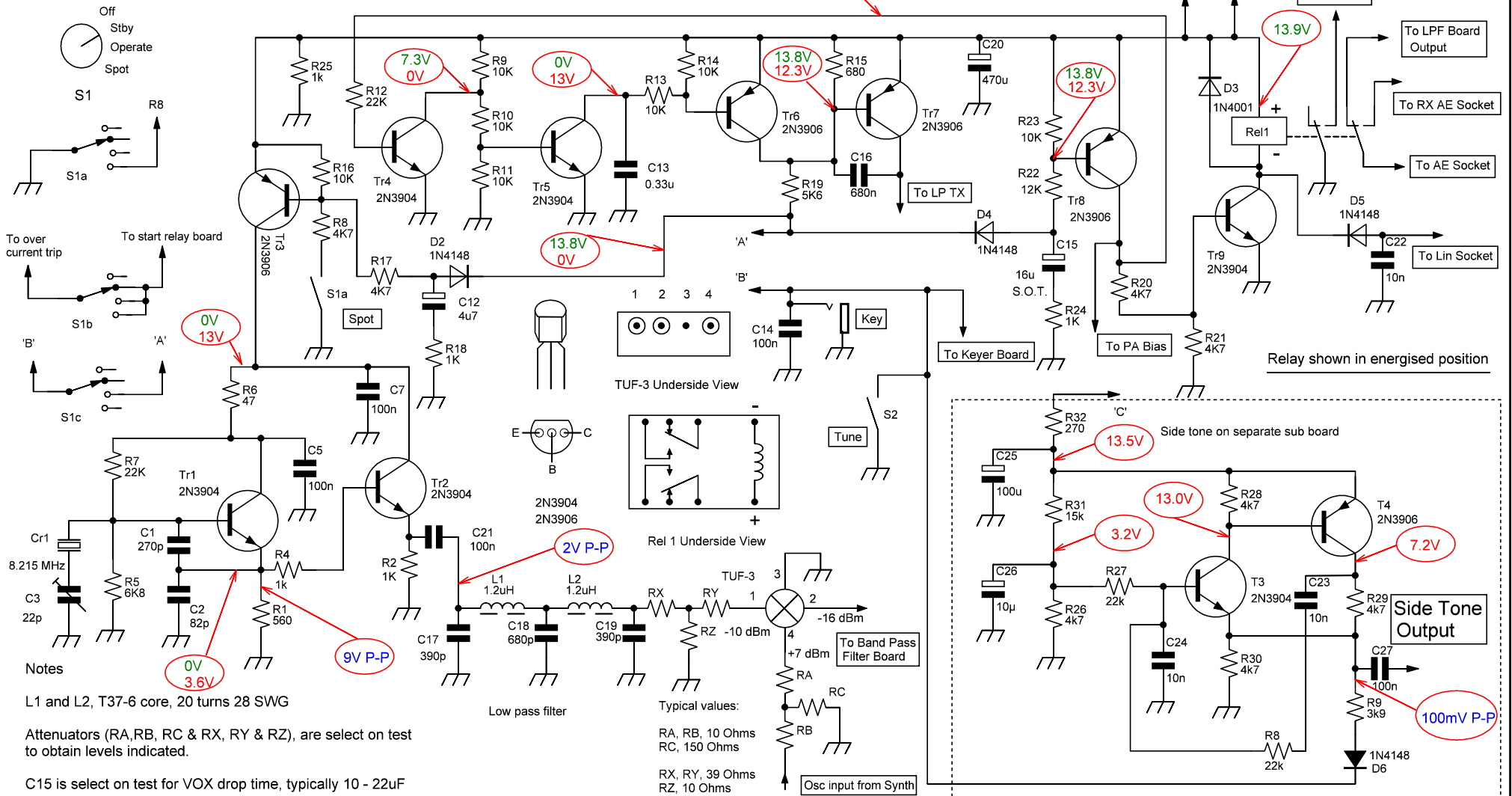
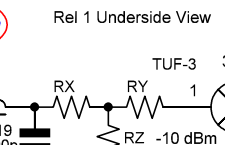
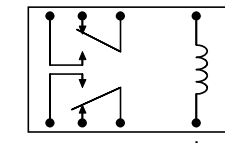
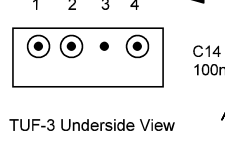


Voltages in green are in Standby Voltages measured with a 10 M Ohm input DMM  
 Voltages in red are in Operate and key down Voltages measured with a X10 scope probe

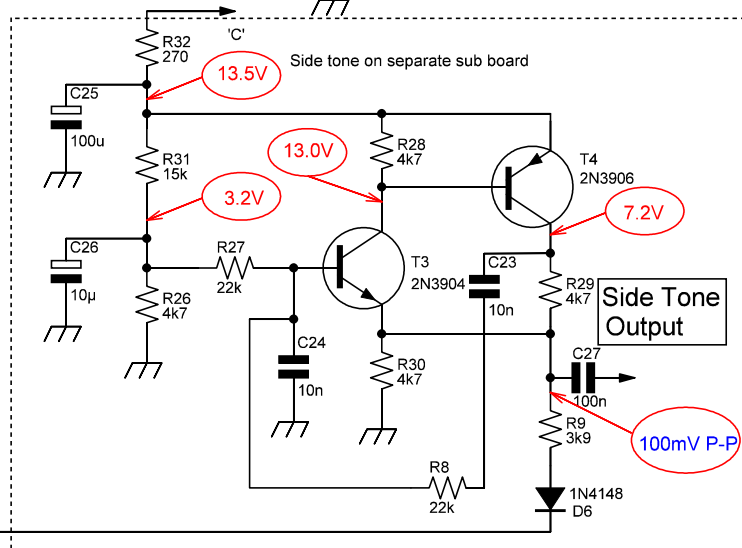


Notes  
 L1 and L2, T37-6 core, 20 turns 28 SWG  
 Attenuators (RA, RB, RC & RX, RY & RZ), are select on test to obtain levels indicated.  
 C15 is select on test for VOX drop time, typically 10 - 22uF

D5 added to key an external linear such as an Elecraft KPA500  
 Rel 1, 720 Ohm 12V, DPDT with 4 mS operate time.  
 Panasonic DS2Y-S-DC12V or equivalent. Note coil polarity!  
 Based on "An Updated Universal QRP Transmitter", by W7ZOI, QST Apr 2006  
 Reproduced with permission of the ARRL



Typical values:  
 RA, RB, 10 Ohms  
 RC, 150 Ohms  
 RX, RY, 39 Ohms  
 RZ, 10 Ohms



Modifications		Date	Name	Description	Page no.
		18-12-2014	G4AON	G4AON Companion Transmitter Control & Mixer Board	1
10-12-2013	G4AON	30-01-2015	G4AON		Pages 1
20-12-2013	G4AON			Schematic no.	
25-06-2014	G4AON		D Johnson G4AON	TX Control v3.2	
					22-Aug-2013