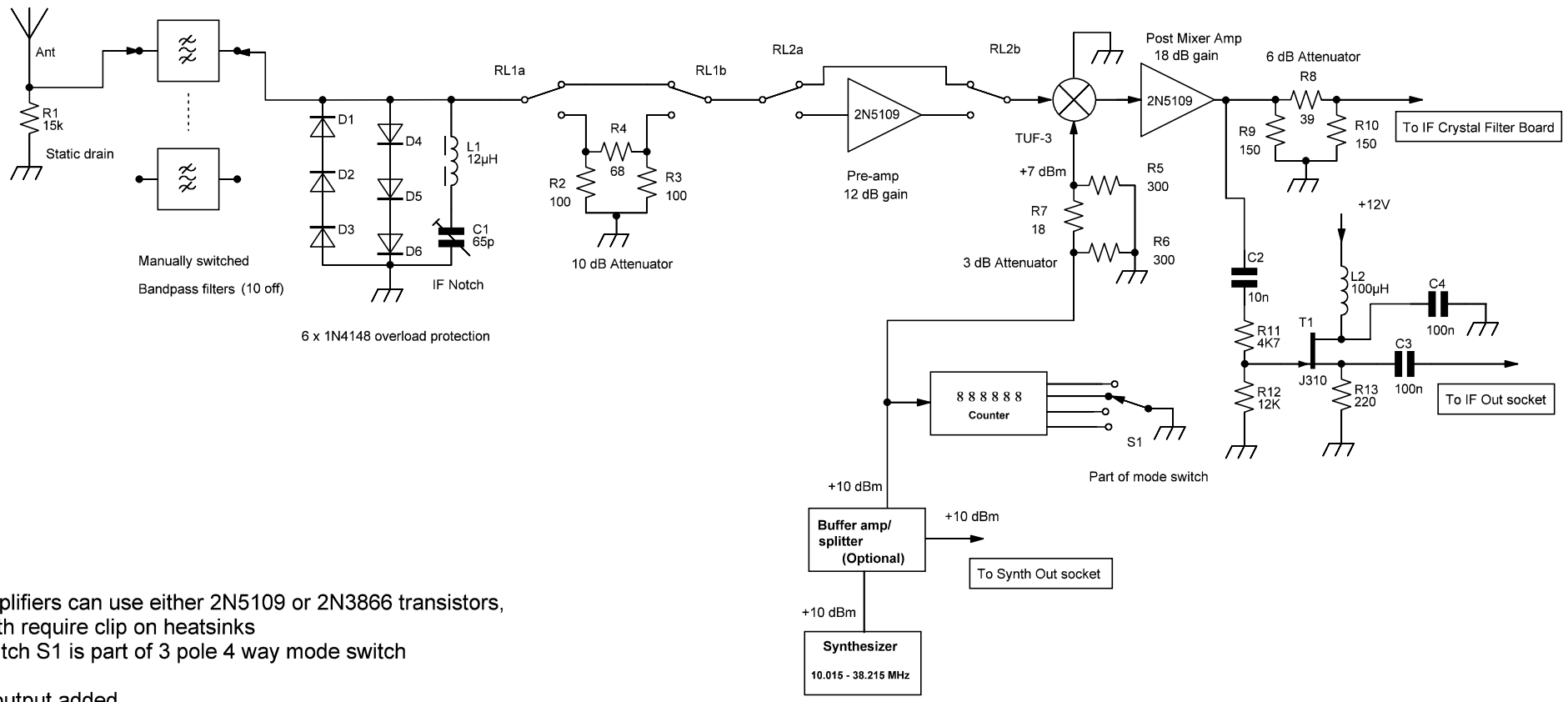


1

2

3

4



Notes

1. Amplifiers can use either 2N5109 or 2N3866 transistors, both require clip on heatsinks
2. Switch S1 is part of 3 pole 4 way mode switch
3. IF output added
4. Synthesizer buffer amp/splitter added

Modifications		Date	Name	Description	Pages: 2
Date	Name	20-Feb-2015	G4AON	G4AON Universal Receiver	
08-Aug-2013	G4AON			Block Diagram	Page no: 1
09-Aug-2013	G4AON	Drawn by		Schematic no:	Original Date
25-Sep-2014	G4AON	D Johnson, G4AON		AONRX_BLOCK 01, version 1.4	07-Apr-2013