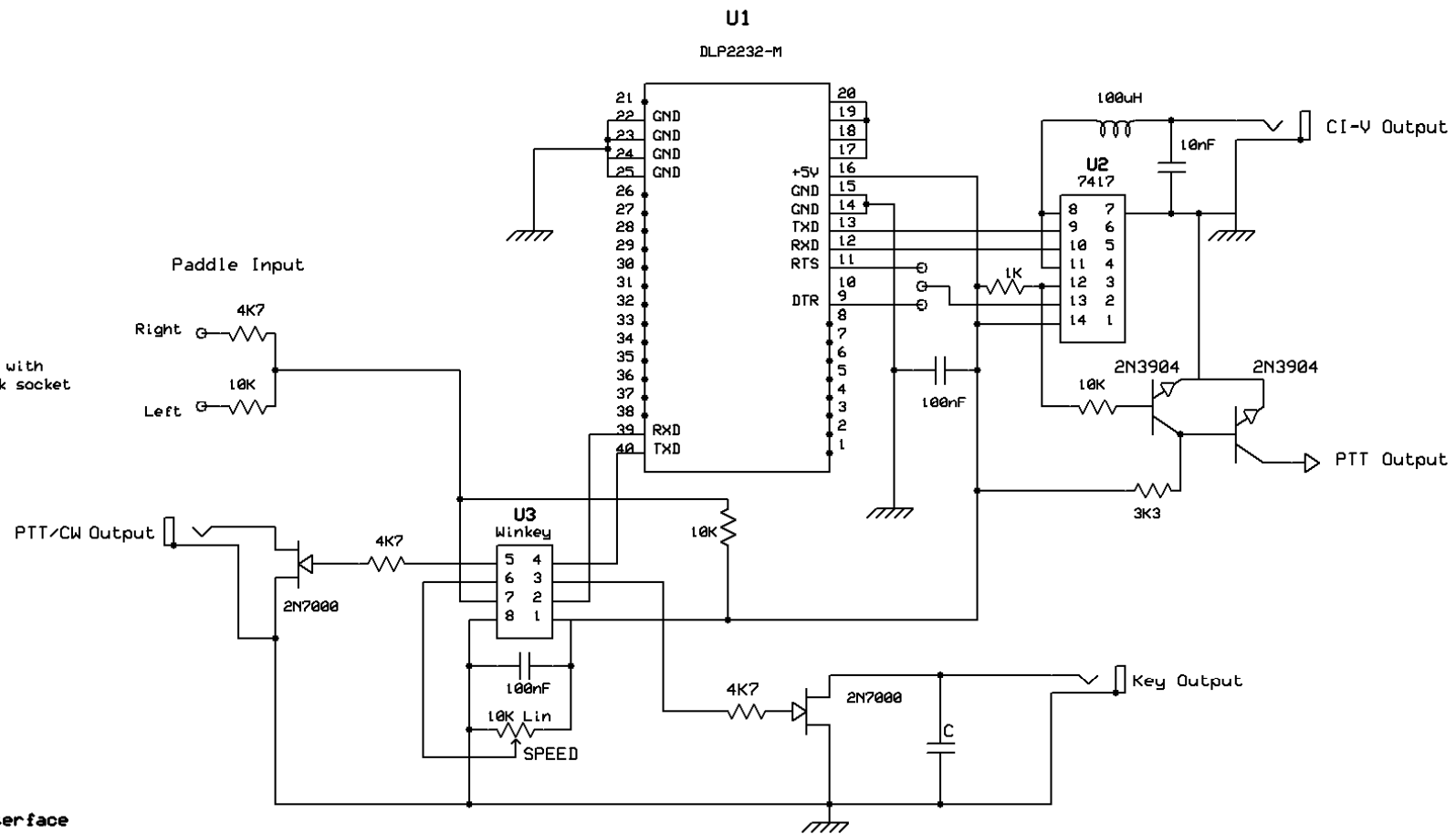


* Note: Paddle inputs decoupled with 220pF capacitors at jack socket



Soundcard Interface

