

20 WATT POWER AMPLIFIER

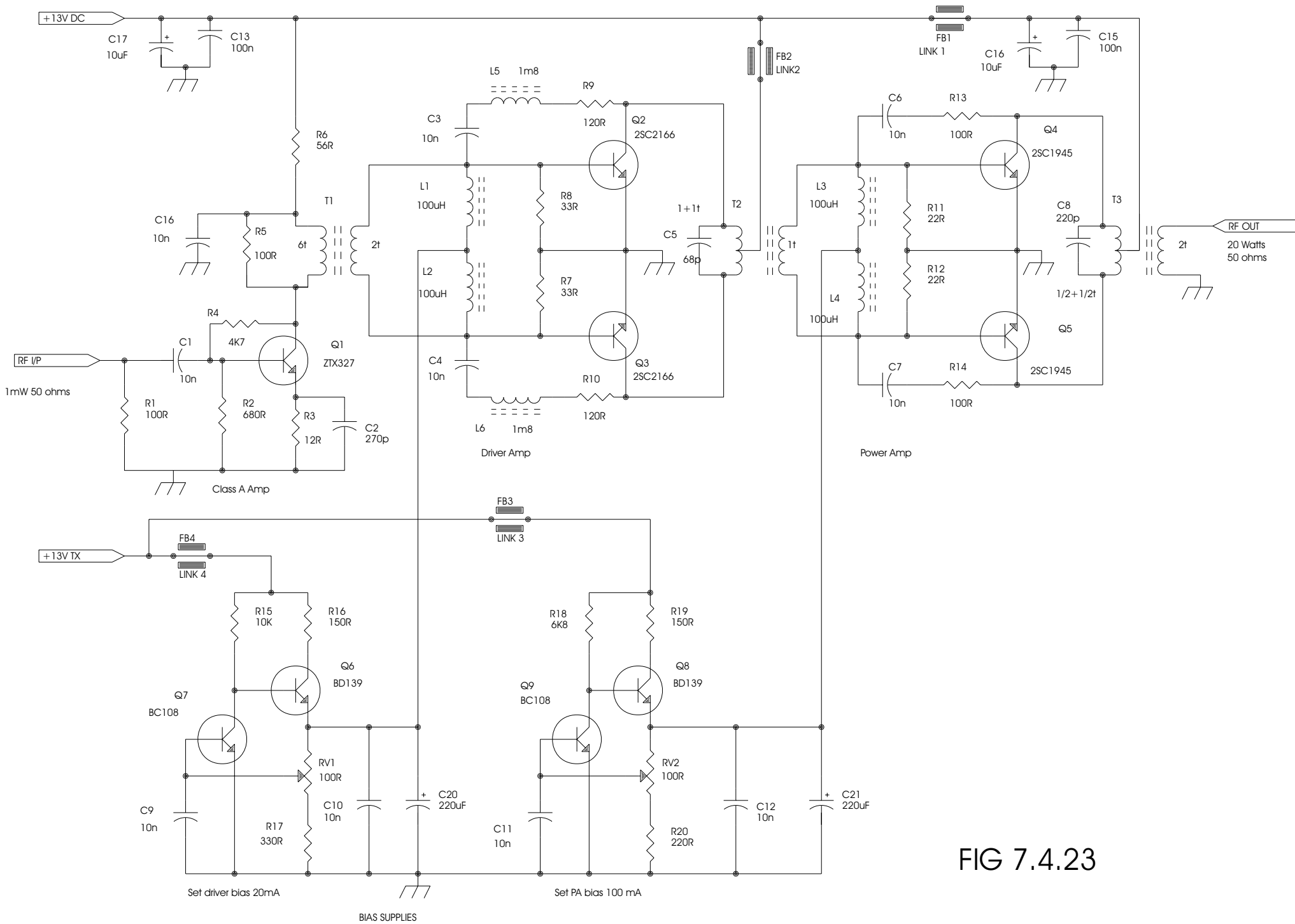


FIG 7.4.23