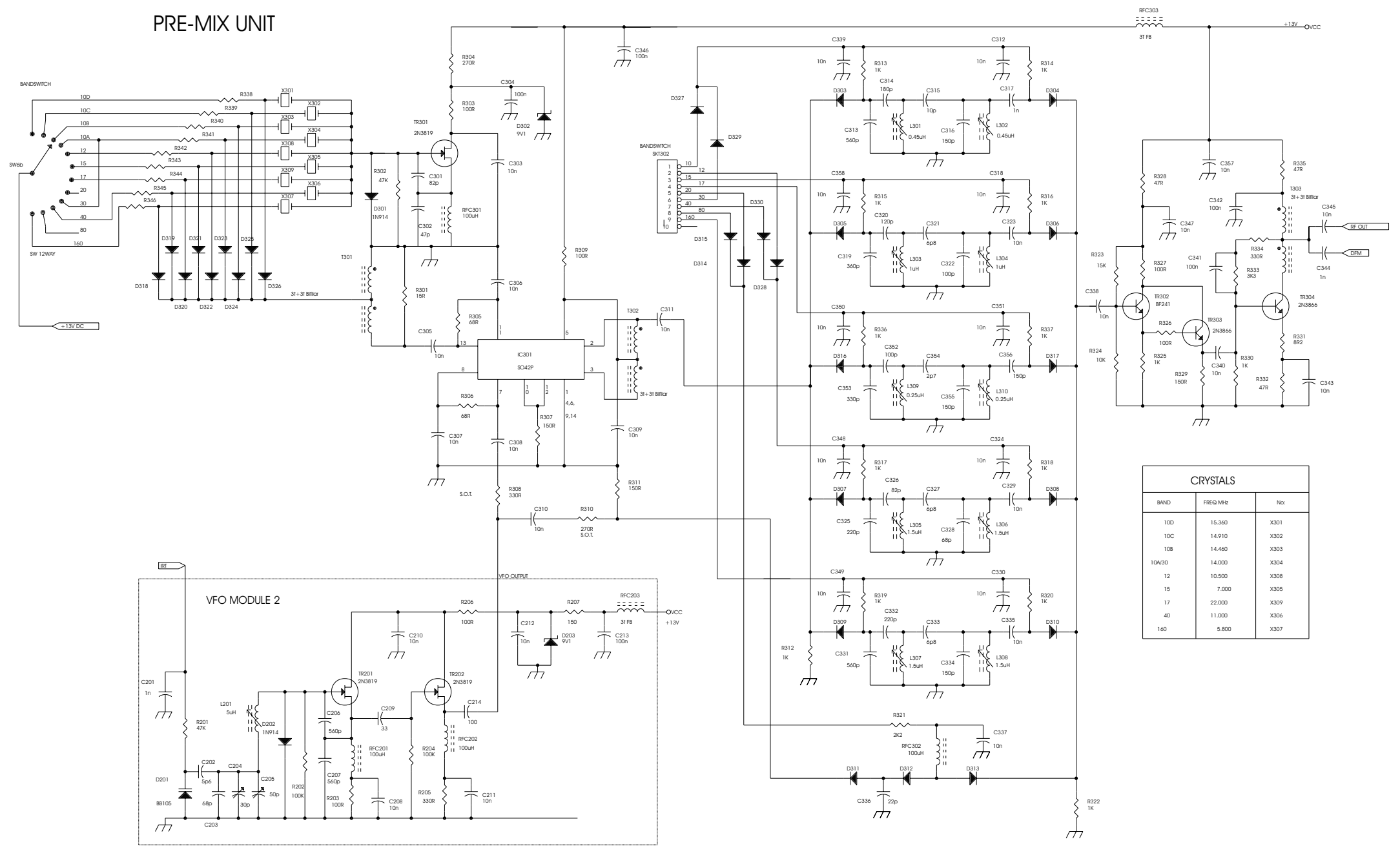


# G3TSO MODULE 3 WARC

## PRE-MIX UNIT



CRYSTALS		
BAND	FREQ MHz	No.
10D	15.340	X301
10C	14.910	X302
10B	14.440	X303
10A/30	14.000	X304
12	10.500	X308
15	7.000	X305
17	22.000	X309
40	11.000	X306
160	5.800	X307

FIG 7.5.5