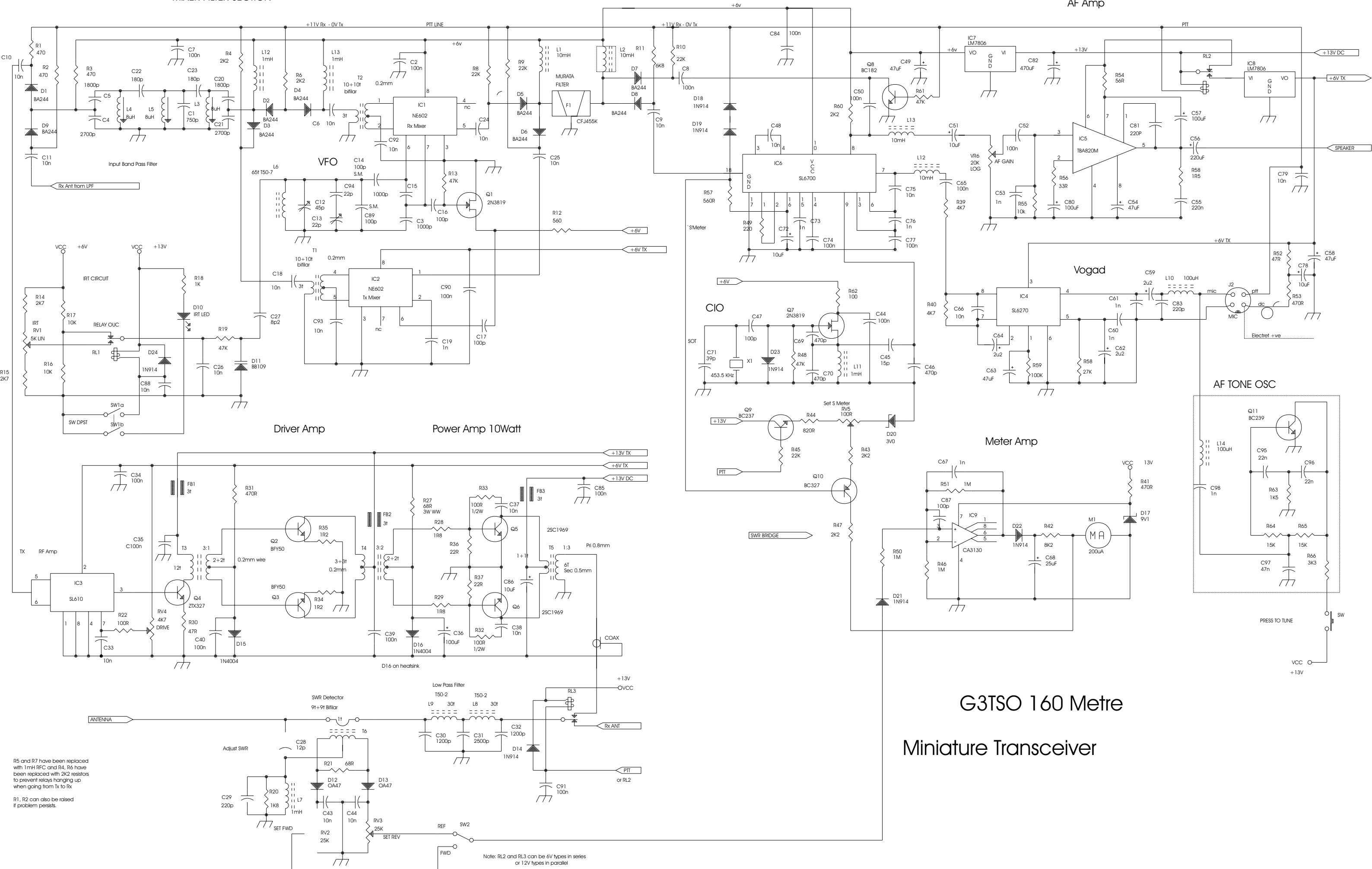


MIXER FILTER SECTION

AF Amp



G3TSO 160 Metre
Miniature Transceiver

R5 and R7 have been replaced with 1mH RFC and R4, R6 have been replaced with 2K2 resistors to prevent relays hanging up when going from Tx to Rx

R1, R2 can also be raised if problem persists.

Note: RL2 and RL3 can be 6V types in series or 12V types in parallel