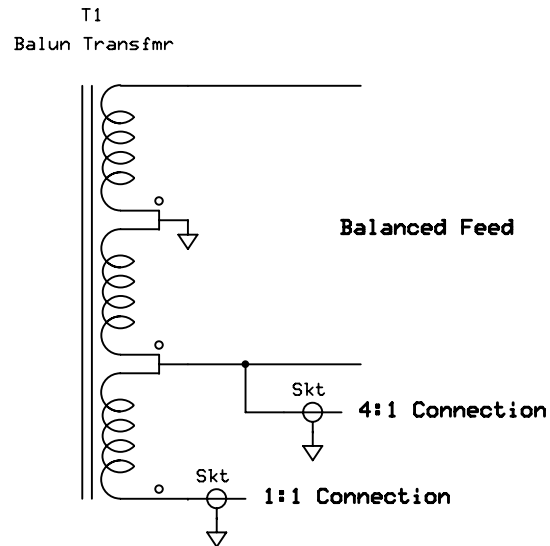
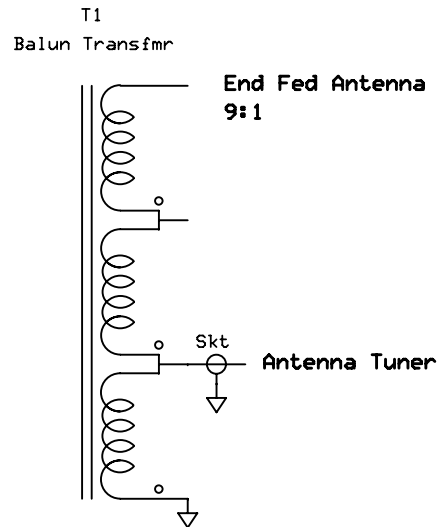


Using a Balun as a Multipurpose Transformer

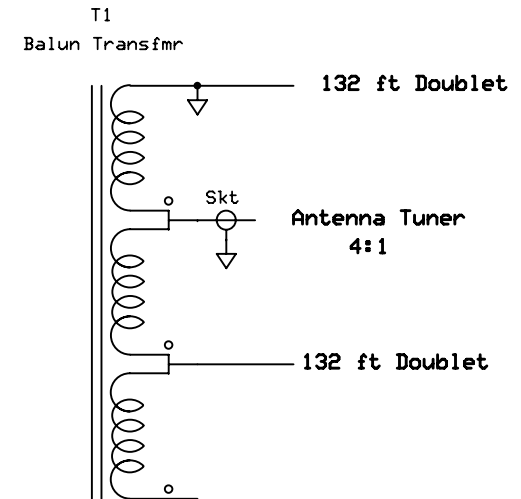
Conventional 1:1 and 4:1 Balun



9:1 Matching Unit (or Magnetic balun)



160m - 132ft Doublet R L Drake



T = 15 turns Trifilar on Amidon T200-2

G3TSO		
Multi Purpose Balun		
Mike Grierson	Rev 1.0 13/01/2009	Page 1 of 1