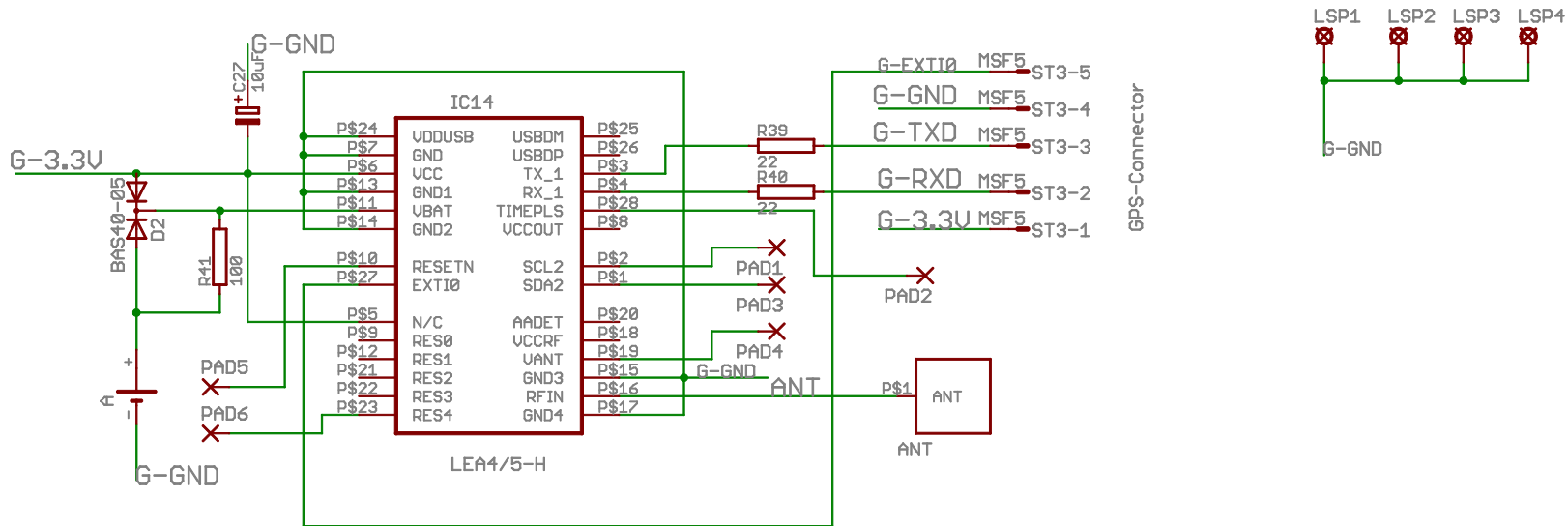


TITLE: gpsi-c	
Document Number:	REV: B
Date: 26.02.2008 23:08:48	Sheet: 3/4



TITLE: gps1-c	
Document Number:	REV: A
Date: 26.02.2008 23:08:48	Sheet: 4/4