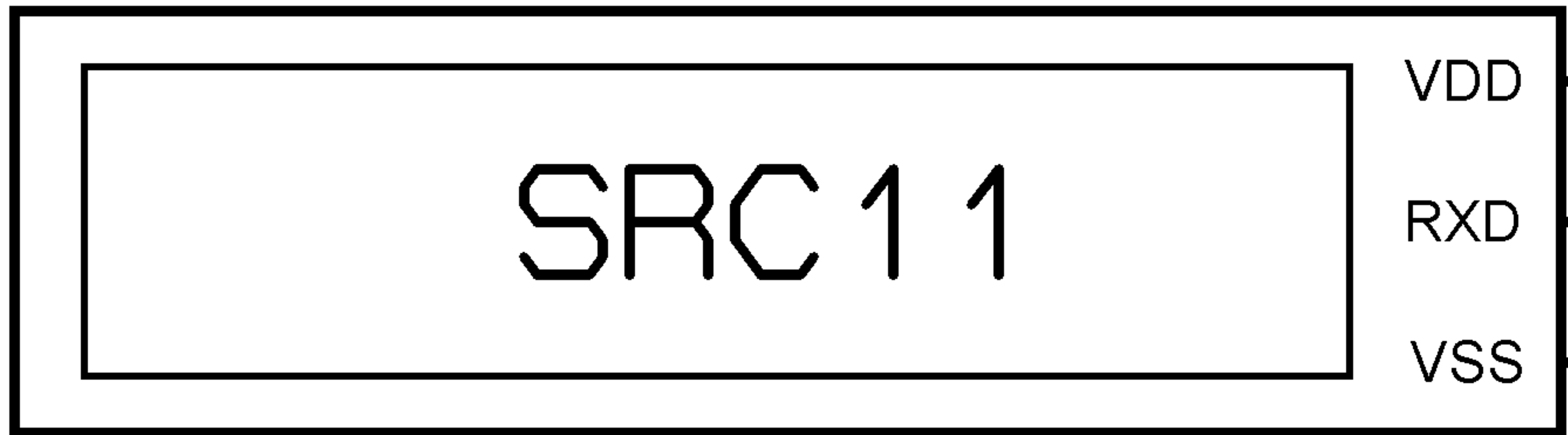


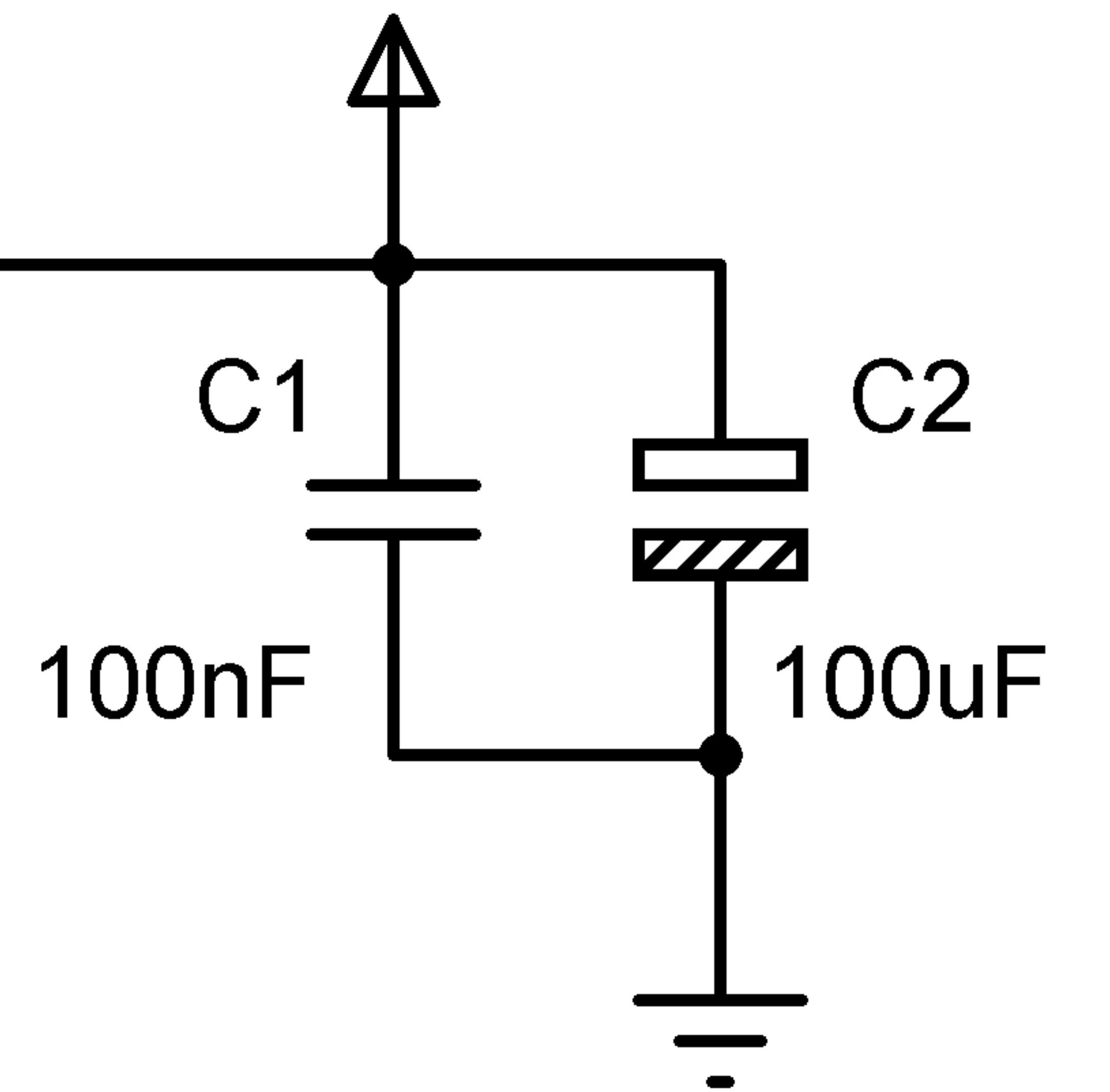
Display: 2 lines x 16 characters

LCD1

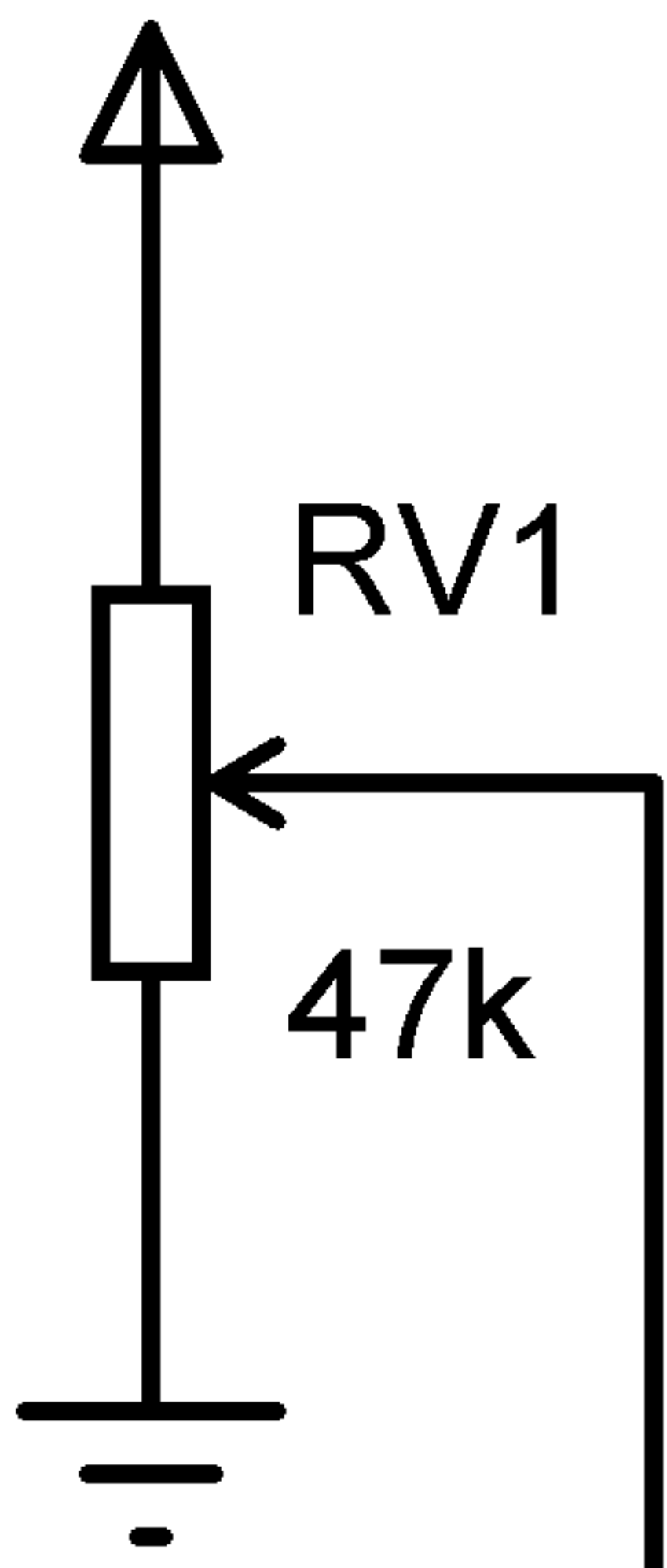


AXE033-SERIAL-LCD

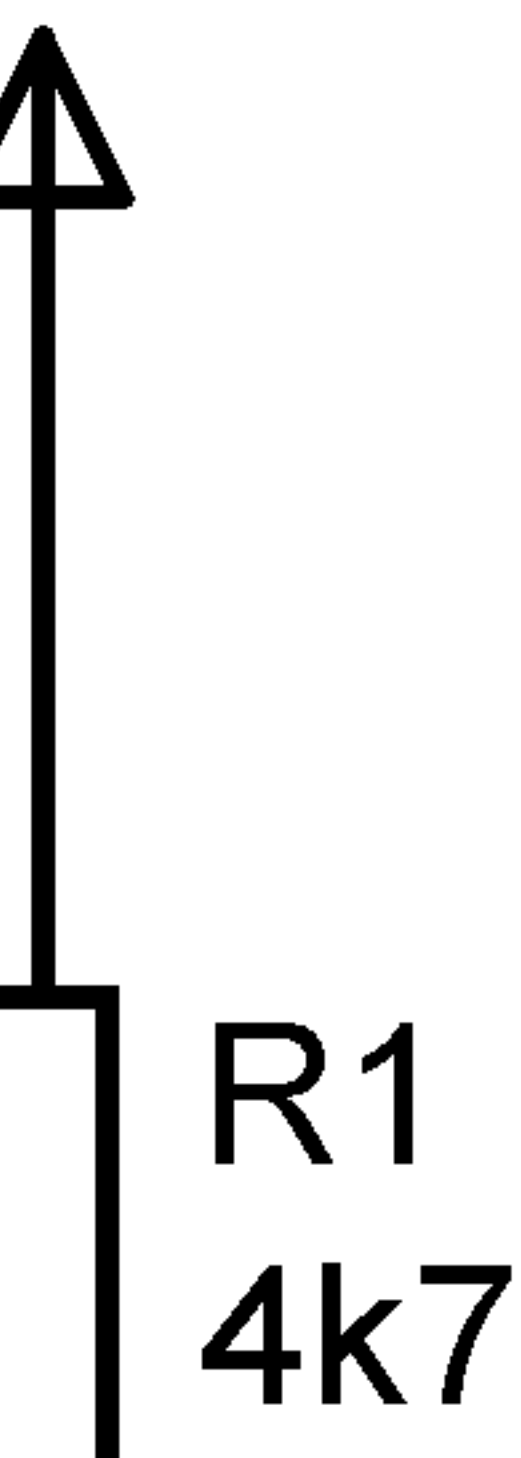
+5 Volt



Segment



RV1
47k



R1
4k7

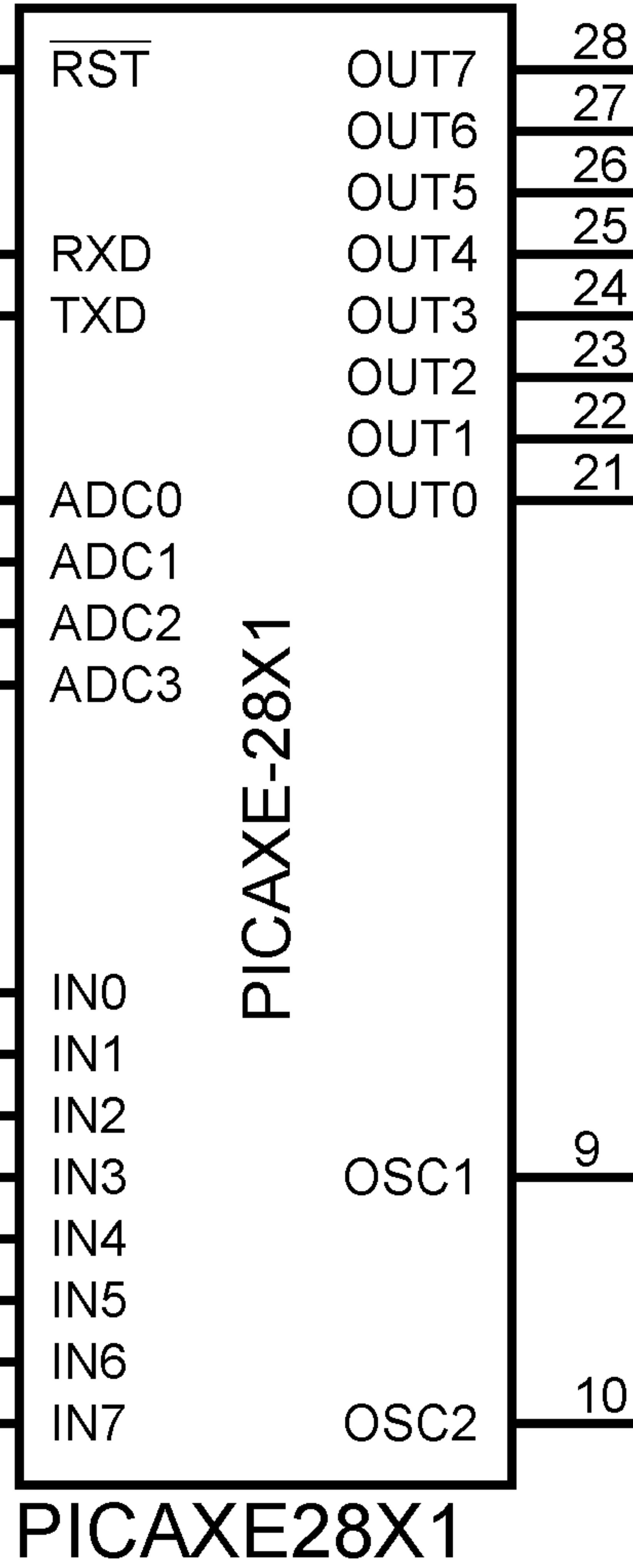
SW1
uP Reset

CT1
AXE029

AXE027/026
USB/RS-232
Downl.cable

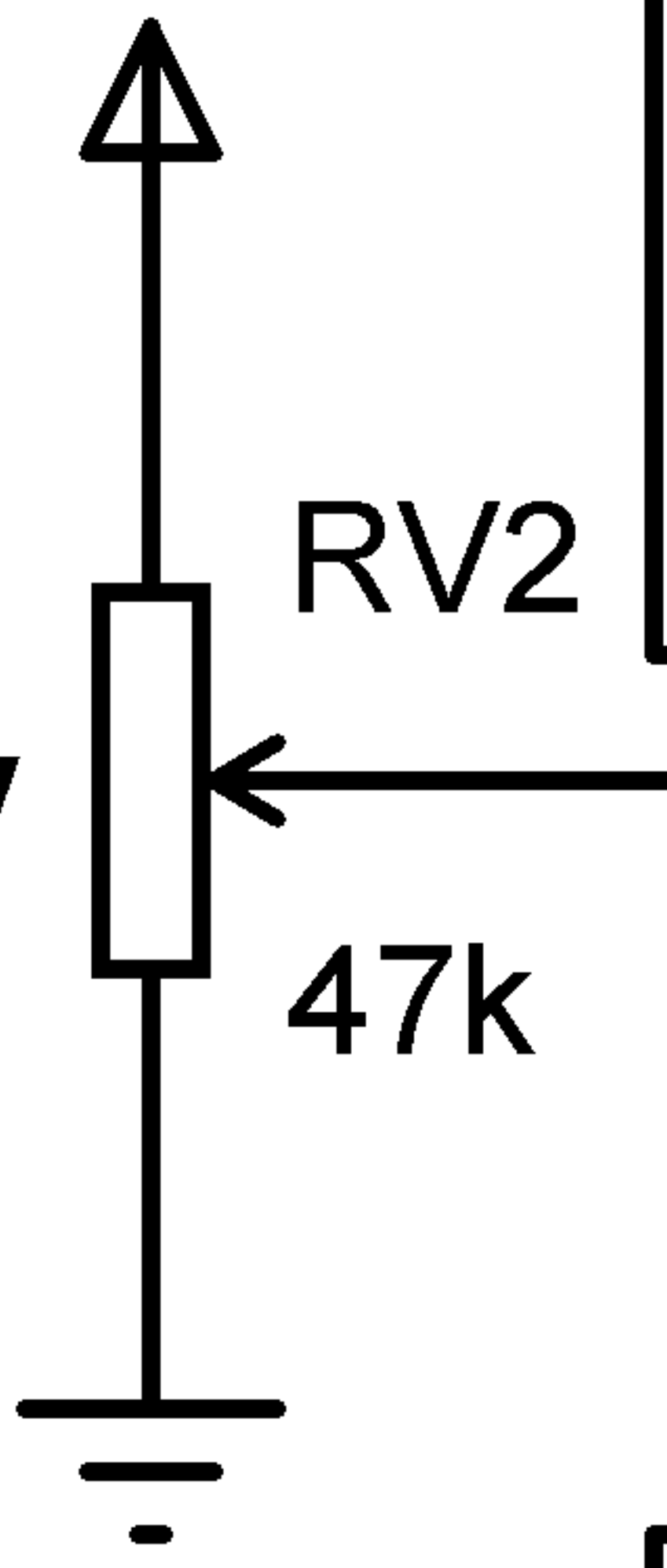
Breadb.
Adapter

U1



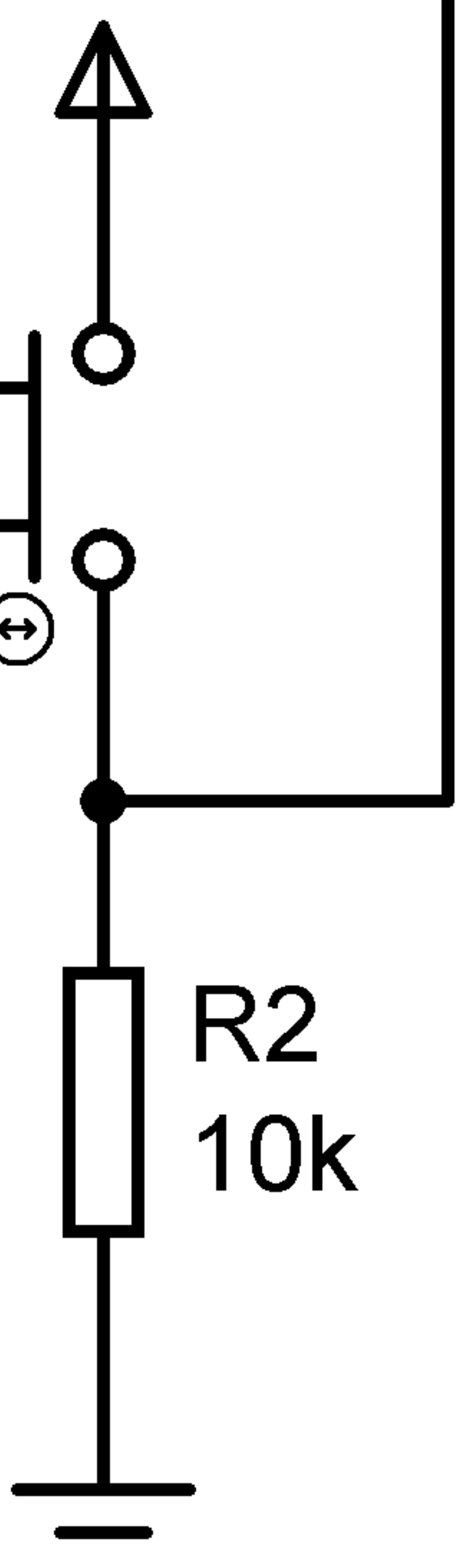
PICAXE28X1

Frequency



RV2
47k

SW2
Set



R2
10k

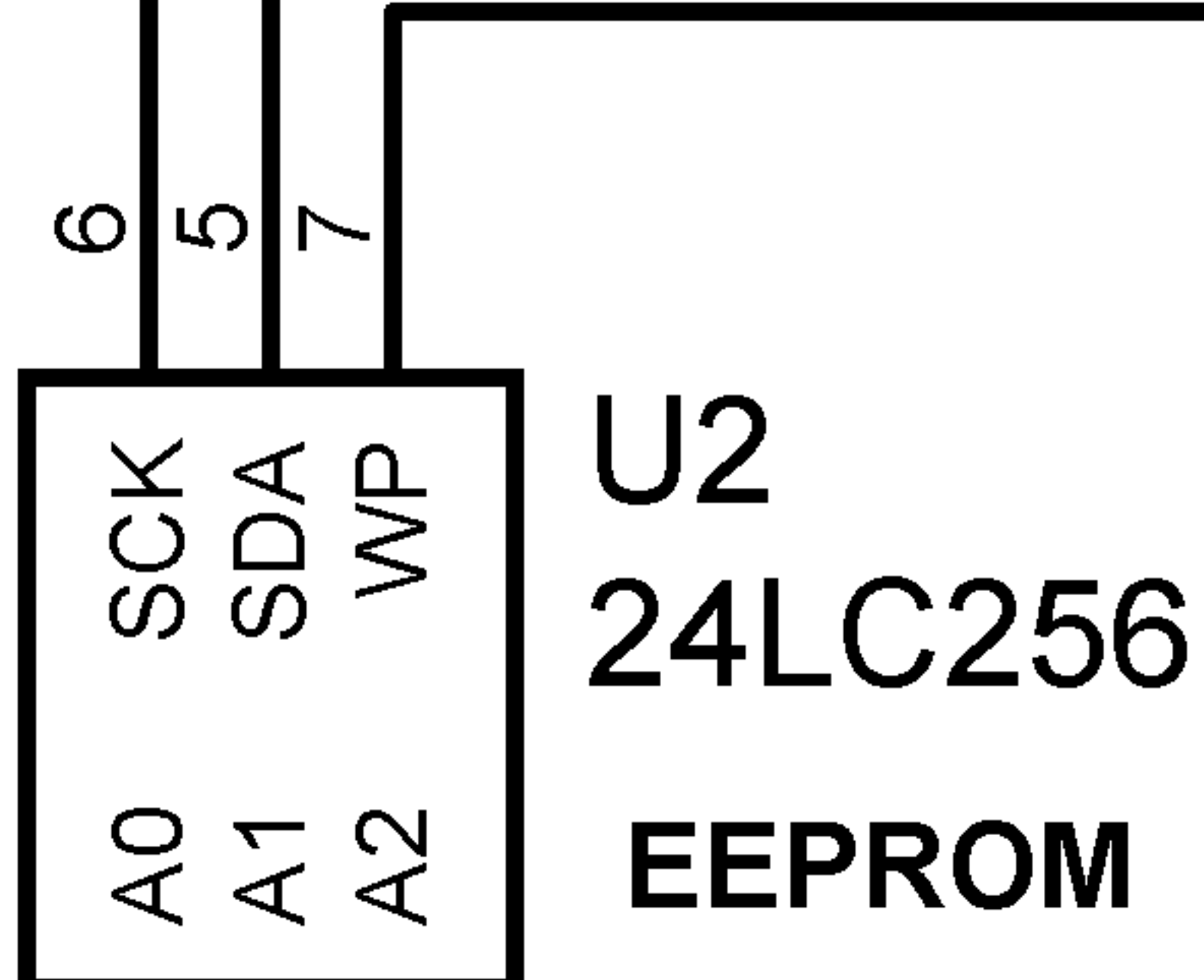
R3
2k2
R4
2k2

WB6DHW
SI570 board

(CMOS)

SCL

SDA



U2
24LC256
EEPROM

SI570/PICAXE experiments

SRC11_100214

Thomas MARTIN, DF7TV