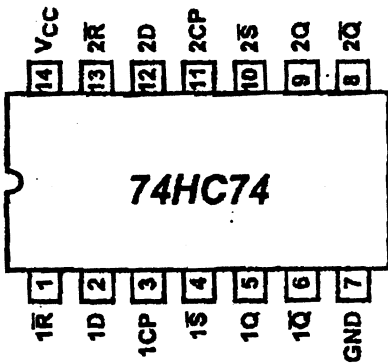
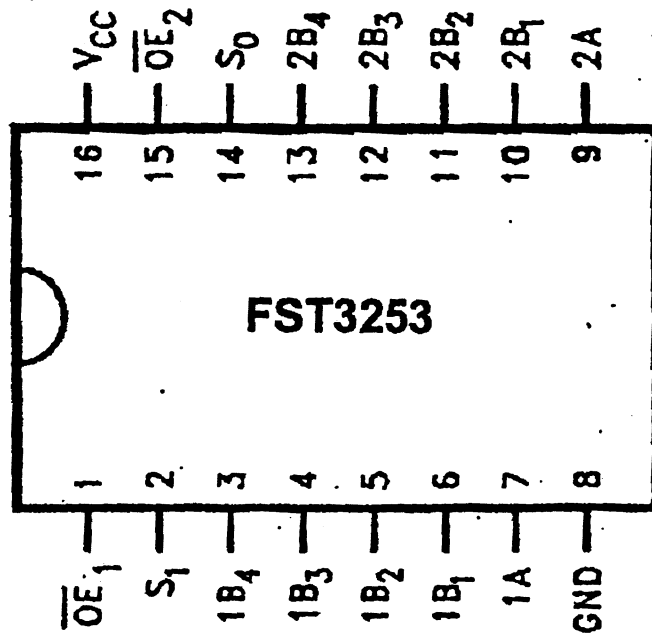
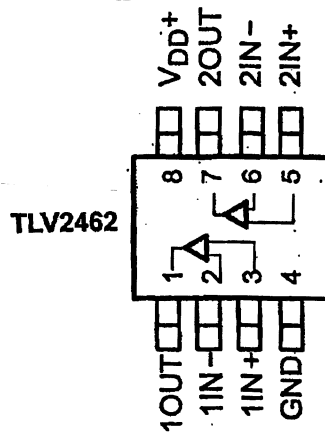


SoftRock (KB9YIG)
 RXTXv6.2 40m/30m
 -- Notes by DF7TV
 2007-10-24 --

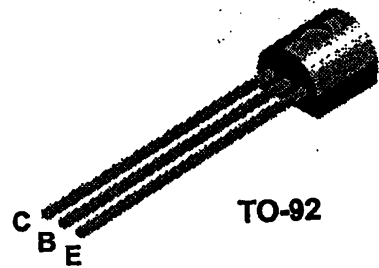
Semiconductor
pinouts



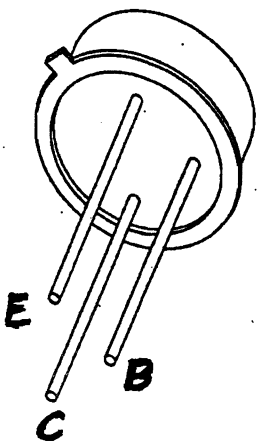
2N2222A



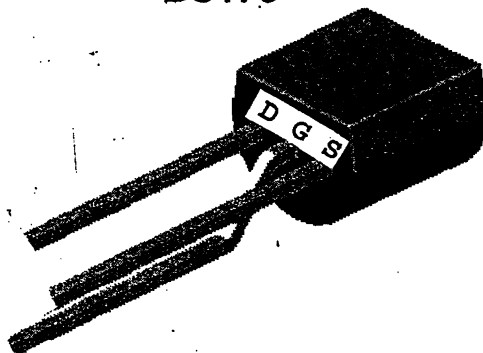
2N3904



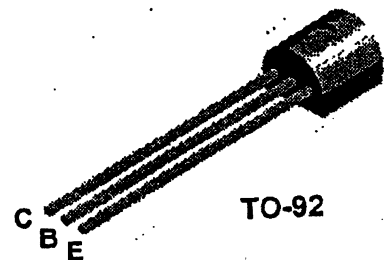
TO-92



BS170



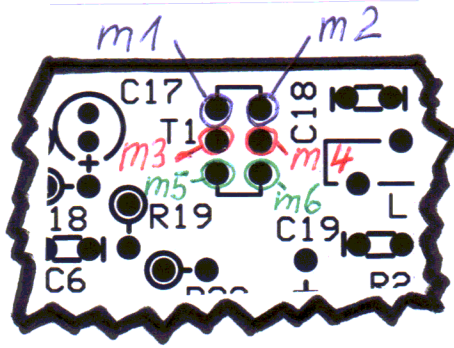
2N3906



TO-92

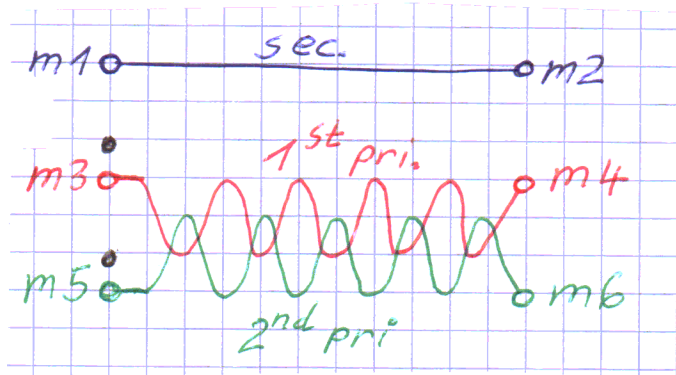
Data sheets for the semiconductors used in the SoftRock (KB9YIG) RXTXv6.2 40m/30m transceiver (KB9YIG) may be downloaded from DF7TV's K2 semiconductor data sheets page at:
http://www.qsl.net/df7tv/k2_semi.html

T1



SoftRock (KB9YIG)
 RXTXv6.2 40m/30m
 -- Notes by DF7TV
 2007-10-24 --

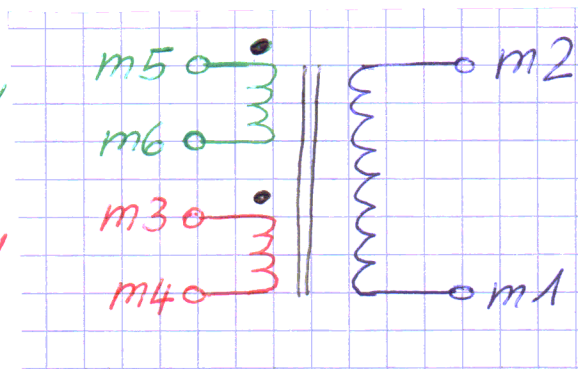
transformer T1



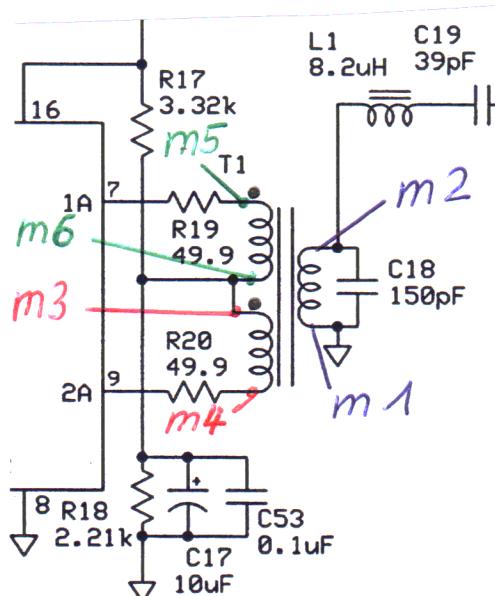
2.1uH secondary, 24T of #30, (14 in.), on T30-6 core (yellow)
 primaries 11T each of #30, (2 x 7 in.), wound bifilar (3 twists/inch)
 primary wound on top of secondary

second primary

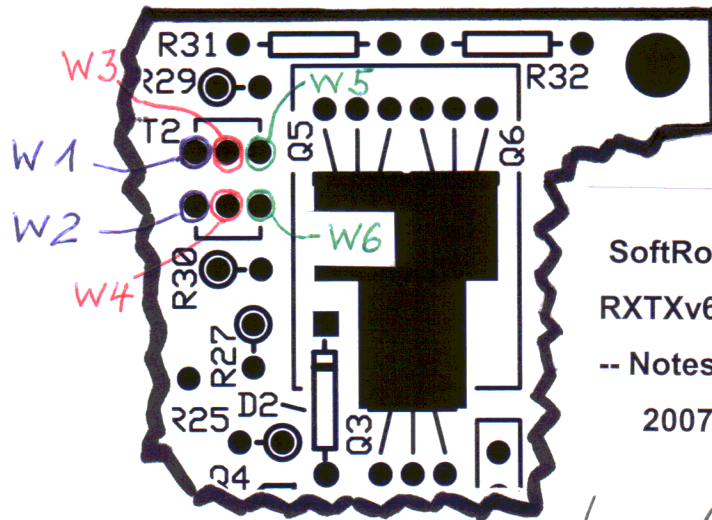
first primary



secondary

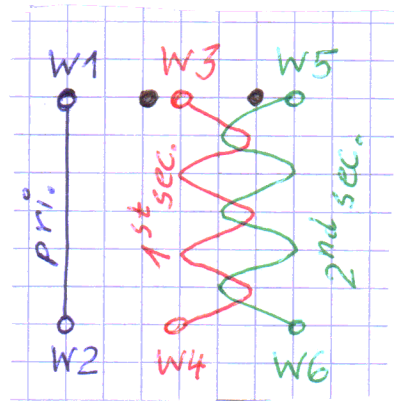


T2

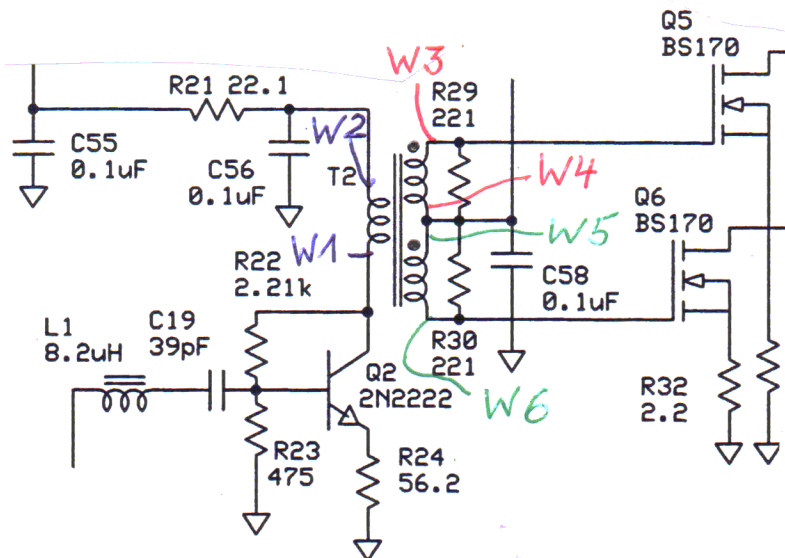
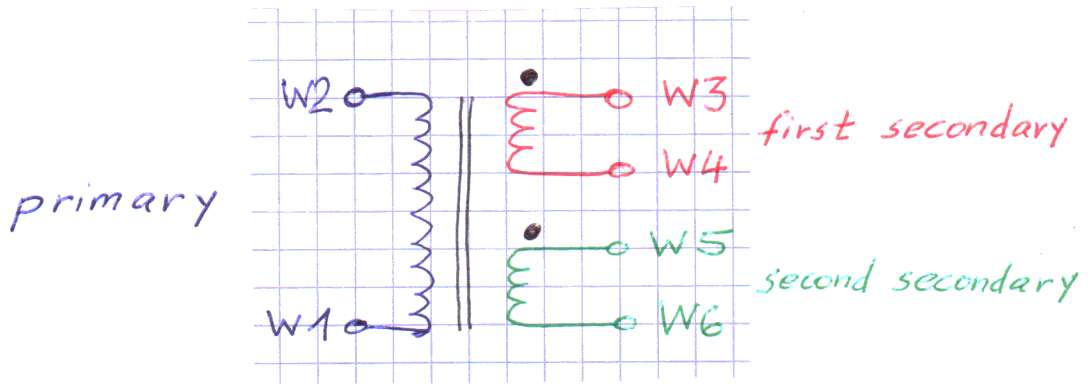


SoftRock (KB9YIG)
 RXTXv6.2 40m/30m
 -- Notes by DF7TV
 2007-10-24 --

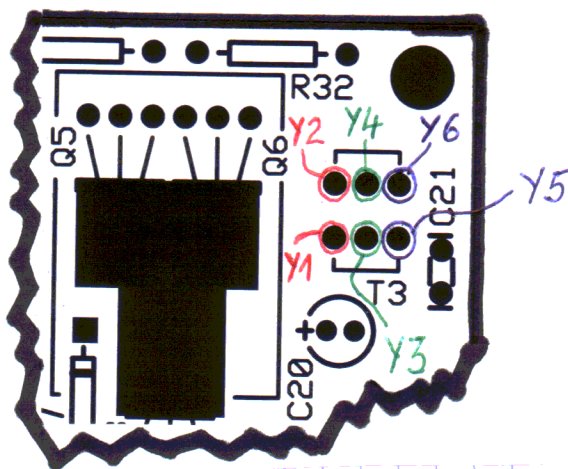
transformer T2



primary 6T of #30, (10 in.), on BN-43-2402 core
 secondaries 3T bifilar of #30, (2 x 4.5 in.) (3 twists/inch)



T3



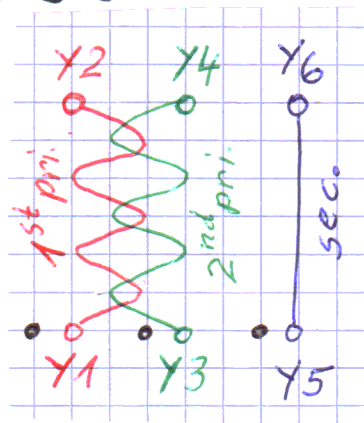
SoftRock (KB9YIG)

RXTXv6.2 40m/30m

-- Notes by DF7TV

2007-10-24 --

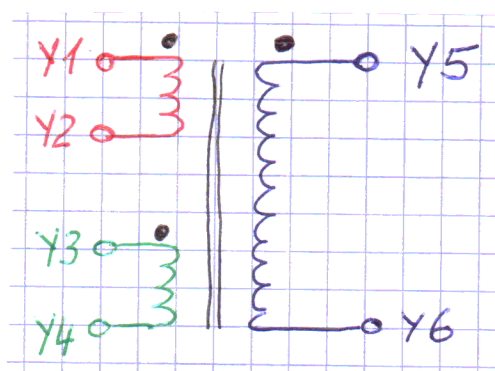
transformer T3



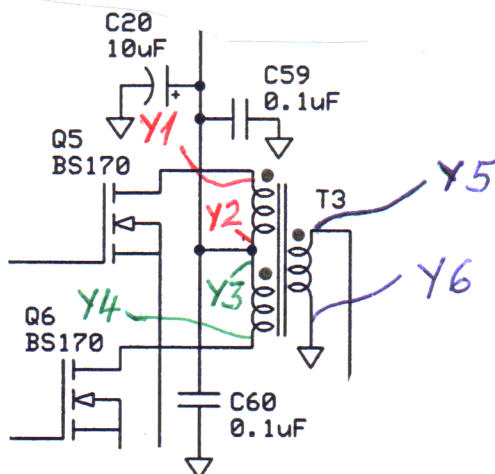
secondary 5T of #30, (9 in.), on BN-43-2402 core
primaries 4T each of #30, (2 x 6 in.), wound bifilar (3 twists/inch)

first primary

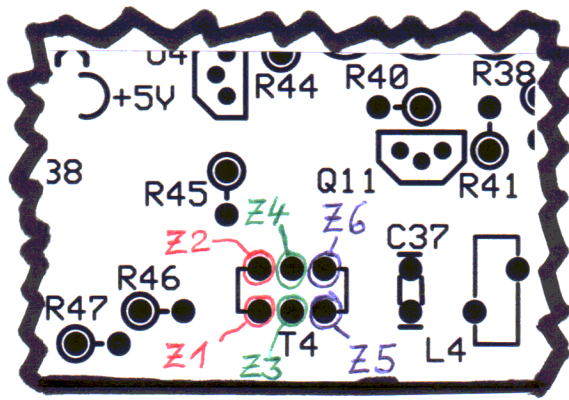
second primary



secondary

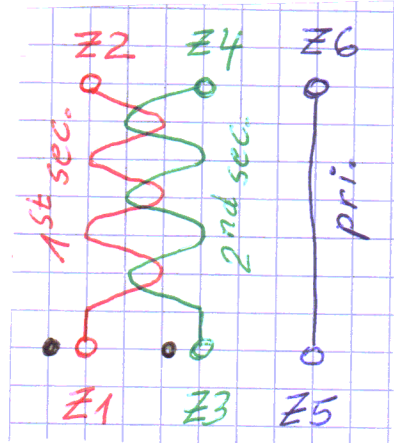


T4



SoftRock (KB9YIG)
 RXTXv6.2 40m/30m
 -- Notes by DF7TV
 2007-10-24 --

transformer T4



0.44uH primary, 11T of #30, (10 in.), on T30-6 core (yellow)
 secondaries 5T of #30, (2 x 5 in.), wound bifilar (3 twists/inch)

