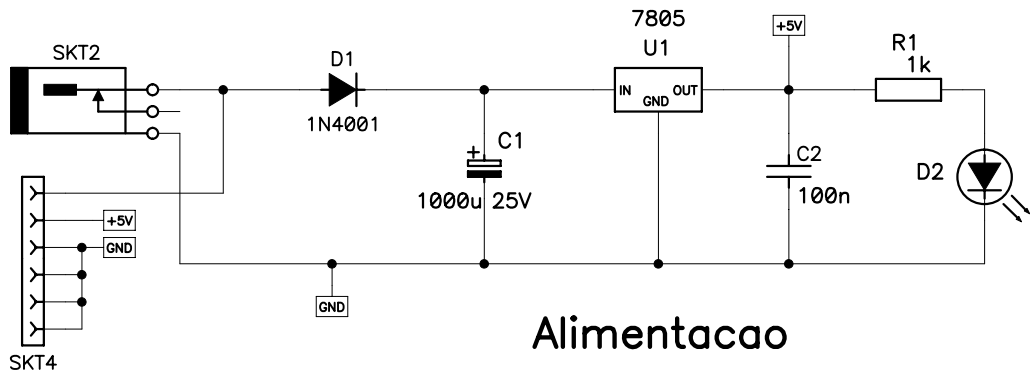
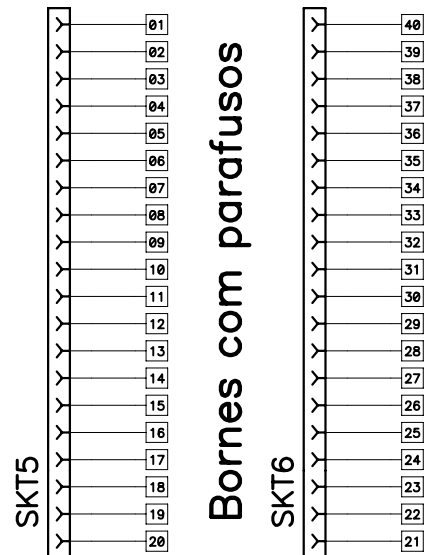
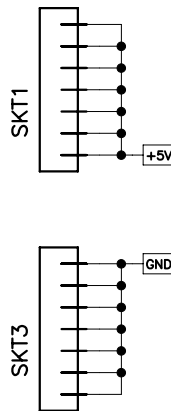


Alimentacao externa, max. +30VDC



Alimentacao

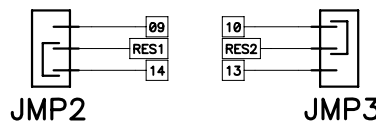
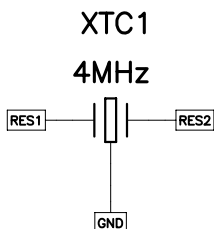
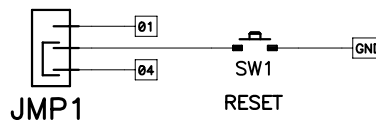
Pinos de socket de integrado



01	1	MCLR ⁺ /Vpp/RE3	RB7/KBI3/PGD	28	40
02	2	RA0/AN0	RB6//KBI2/PGC	27	39
03	3	RA1/AN1	RB5/KBI1/PGM	26	38
04	4	RA2/AN2/Vref-/CVref	RB4/AN11/KBI0	25	37
05	5	RA3/AN3/Vref+	RB3/AN9/CCP2	24	36
06	6	RA4/T0CKI/C1OUT	RB2/AN8/INT2	23	35
07	7	RA5/AN4/SS/LVDIN/C20	RB1/AN10/INT1	22	34
08	8	Vss	RB0/AN12/INT0/FLT0	21	33
09	9	OSC1/CLKI/RA7	Vdd	20	32
10	10	OSC2/CLK0/RA6	Vss	19	31
11	11	RC0/T10S0/T13CKI	RC7/RX/DT	18	30
12	12	RC1/T10SI/CCP2	RC6/TX/CK	17	29
13	13	RC2/CCP1/P1A	RC5/SD0	16	28
14	14	RC3/SCK/SCL	RC4/SDI/SDA	15	27

8-14-18-28 pinos

Reset entre 18 ou 28/40 pinos



Ressoador para 28 ou 40 pinos

01	1	MCLR ⁺ /Vpp/THV	RB7.PGD	40	40
02	2	RA0.AN0	RB6.PGC	39	39
03	3	RA1.AN1	RB5	38	38
04	4	RA2.AN2.Vref-	RB4	37	37
05	5	RA3.AN3.Vref+	RB3.PGM	36	36
06	6	RA4.T0CKI	RB2	35	35
07	7	RA5.AN4.SS ⁺	RB1	34	34
08	8	RE0.RD ⁺ .AN5	RB0.INT	33	33
09	9	RE1.WR ⁺ .AN6	Vdd	32	32
10	10	RE2.CS ⁺ .AN7	Vss	31	31
11	11	Vdd	RD7.PSP7	30	30
12	12	Vss	RD6.PSP6	29	29
13	13	OSC1.CLKI	RD5.PSP5	28	28
14	14	OSC2.CLKOUT	RD4.PSP4	27	27
15	15	RC8.T10S0.T13CKI	RC6.RX.DT	26	26
16	16	RC1.T10SI.CCP2	RC6.TX.CK	25	25
17	17	RC2.CCP1	RC5.SD0	24	24
18	18	RC3.SCK.SCL	RC4.SDI.SDA	23	23
19	19	RD0.PSP0	RD3.PSP3	22	22
20	20	RD1.PSP1	RD2.PSP2	21	21

40 pinos

Rev0

PICAXE, placa adaptadora para todos modelos

Antonio Sergio Sena
asena@senaeng.com

