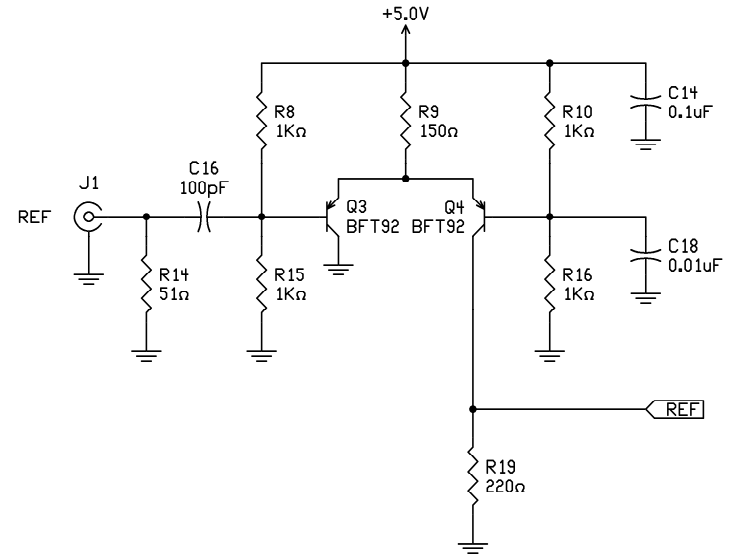
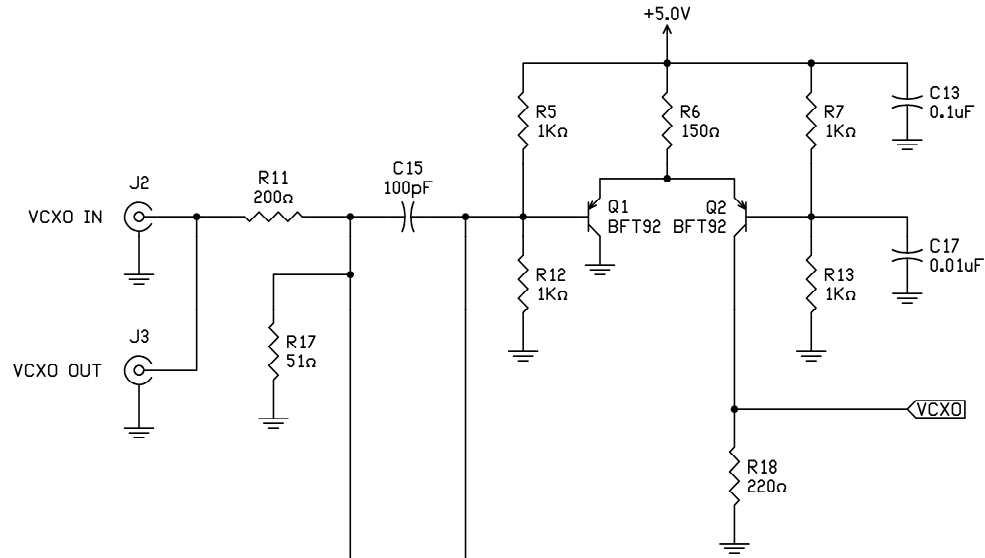
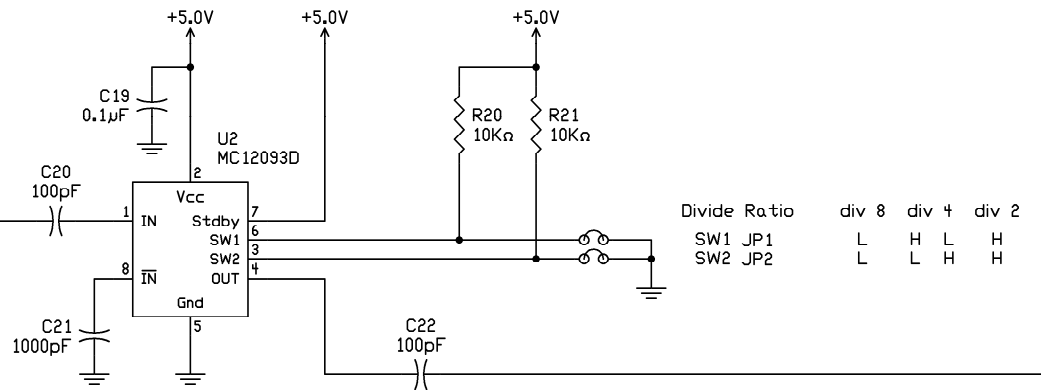


Co: Tucson Amateur Packet Radio Corp.	
Title: CT1DMK Rflock II	
Author: Steven Bible, N7HPR	Revision: 1
Date: June 28, 2005	Size: A
Revised: June 28, 2005	Sheet 1 of 5

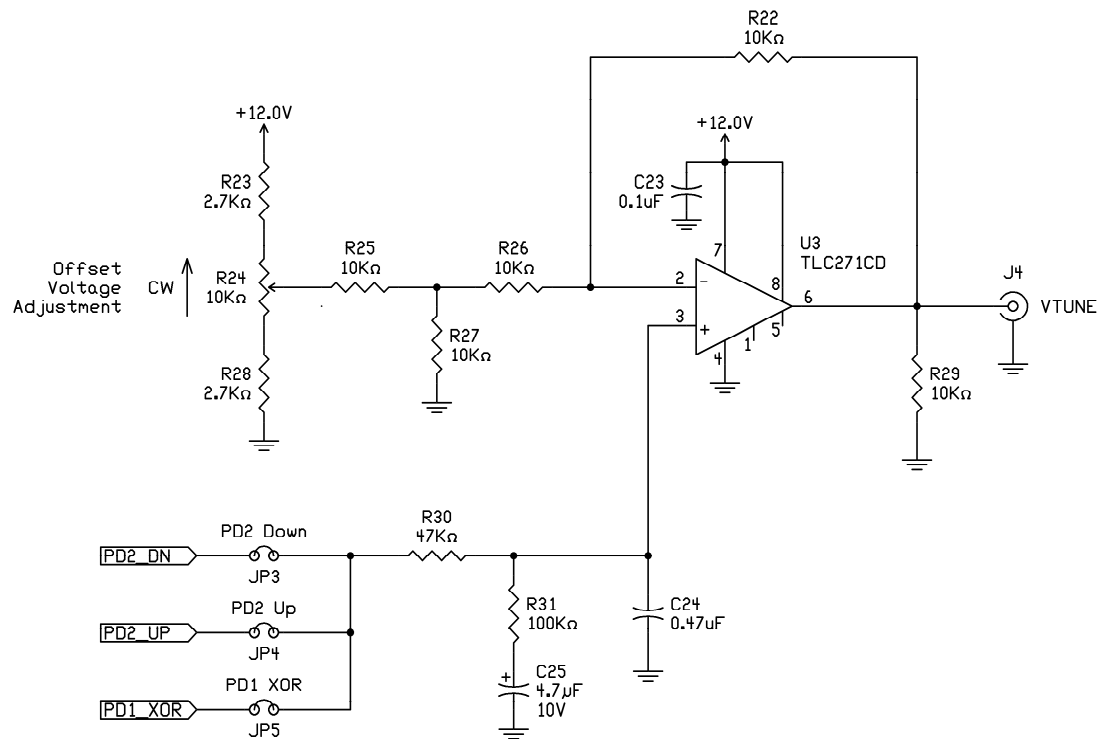


NOTE: populate R9 only if Reflock VCXO IN requires 50Ω termination.

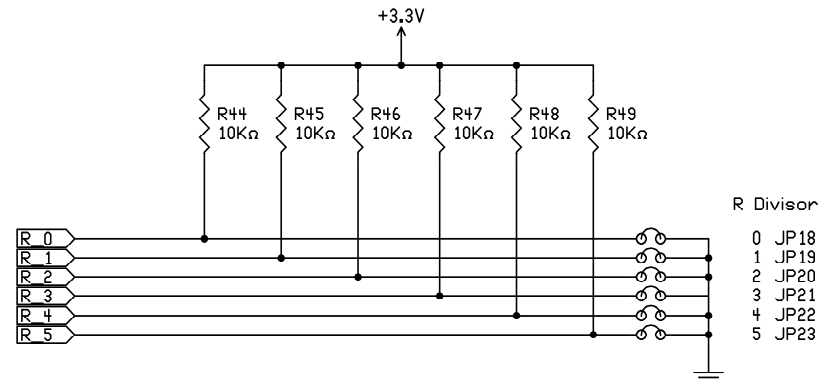
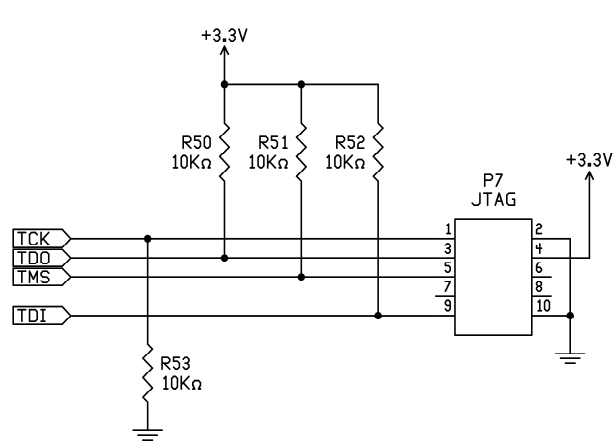
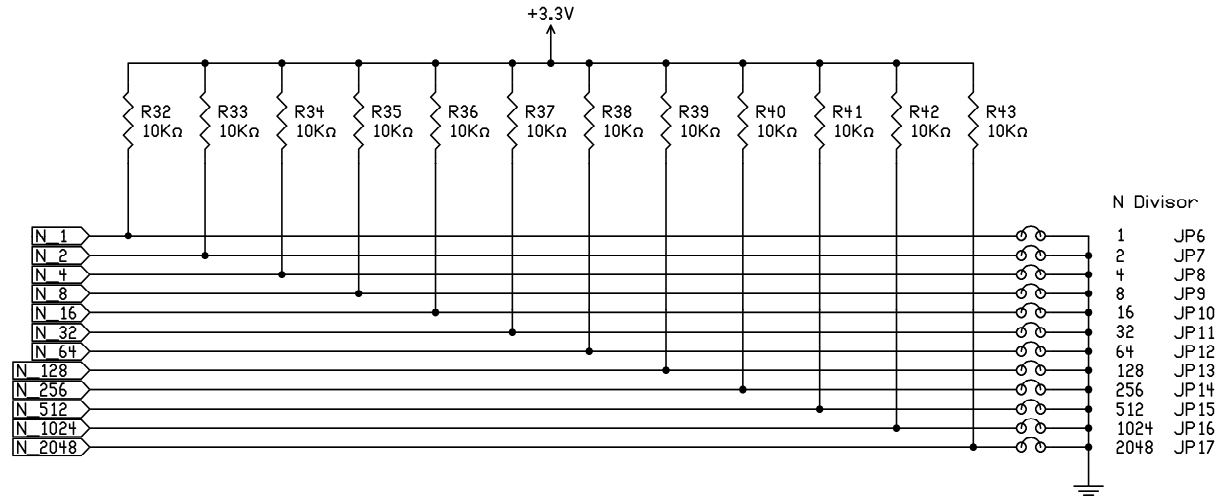
Populate R99 when VCXO IN and OUT are used.



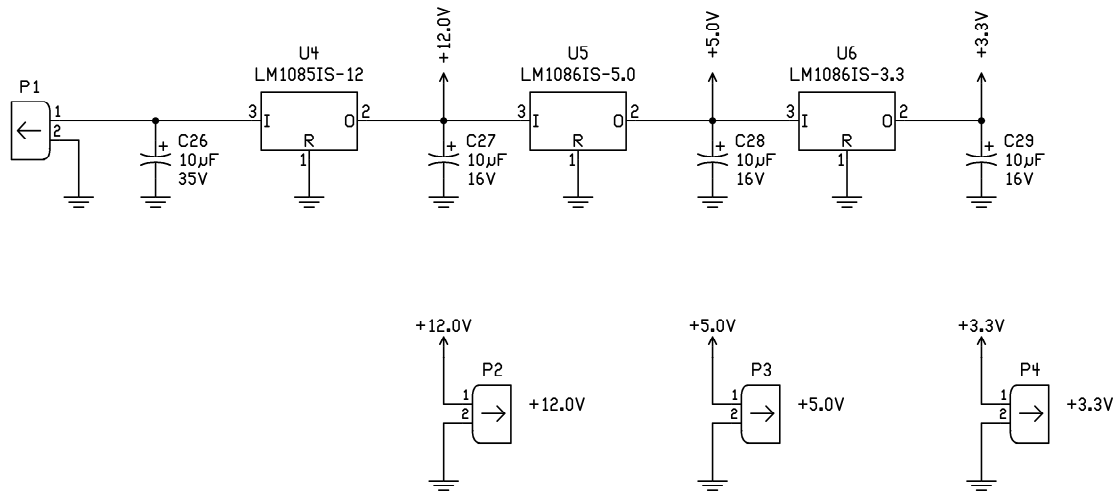
Co:	Tucson Amateur Packet Radio Corp.		
Title:	CT1DMK Reflock II		
Author:	Steven Bible, N7HPR	Revision:	1
Date:	June 28, 2005	Size:	A
Revised:	June 28, 2005	Sheet	2 of 5



Co: Tucson Amateur Packet Radio, Corp.	
Title: CT1DMK Reflock II	
Author: Steven Bible, N7HPR	Revision: 1
Date: June 28, 2005	Size: A
Revised: June 28, 2005	Sheet 3 of 5



Co: Tucson Amateur Packet Radio Corp.	
Title: CT1DMK Rflock II	
Author: Steven Bible, N7HPR	Revision: 1
Date: June 28, 2005	Size: A
Revised: June 28, 2005	Sheet 4 of 5



Co: Tucson Amateur Packet Radio Corp.	
Title: CT1DMK Reflock II	
Author: Steven Bible, N7HPR	Revision: 1
Date: June 28, 2005	Size: A
Revised: June 28, 2005	Sheet 5 of 5