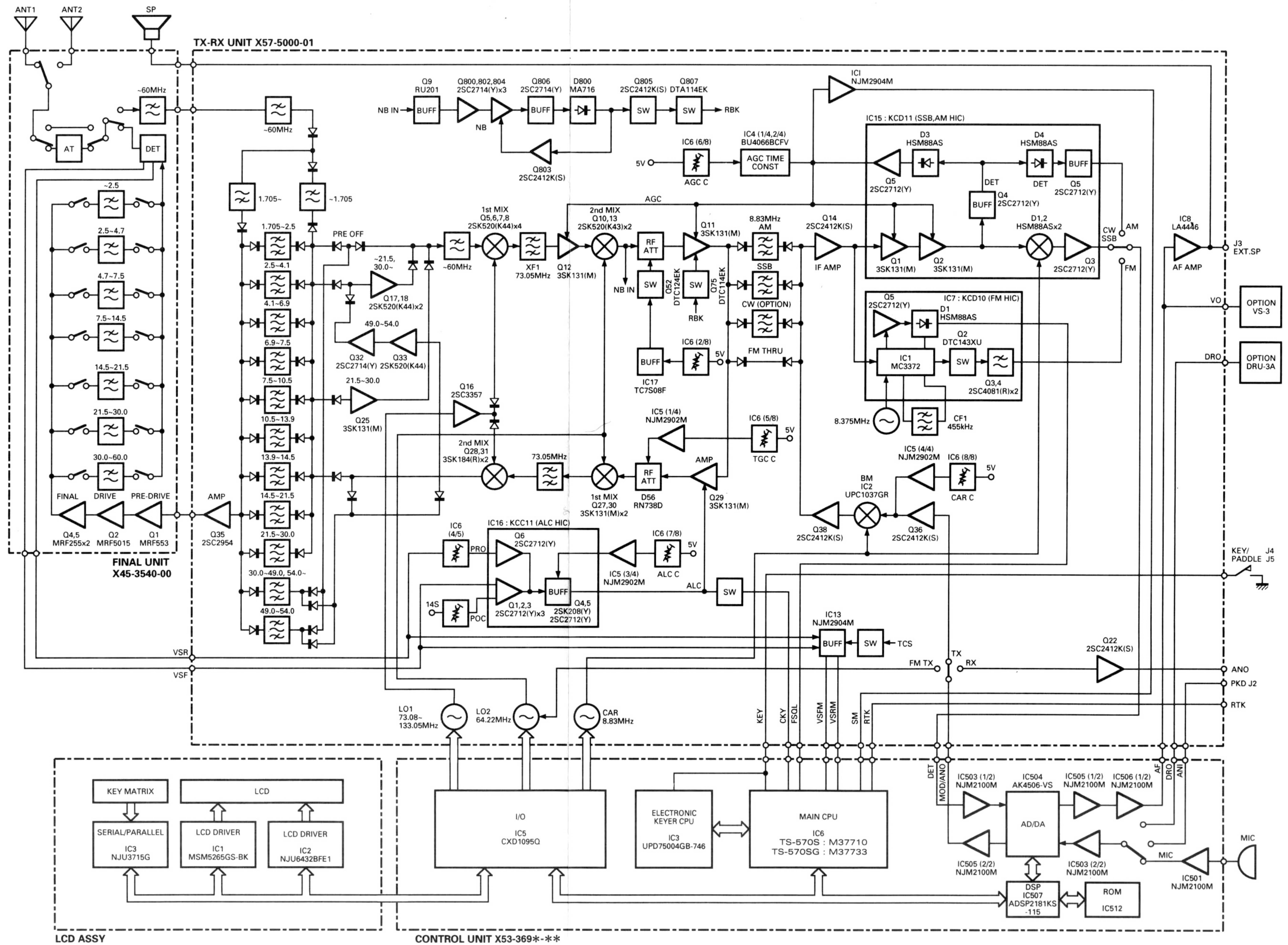


BLOCK DIAGRAM

B52-0608-30 (4/4)



TS-570S/SG

Note: Circuits are subject to change without notice due to advancements in technology.